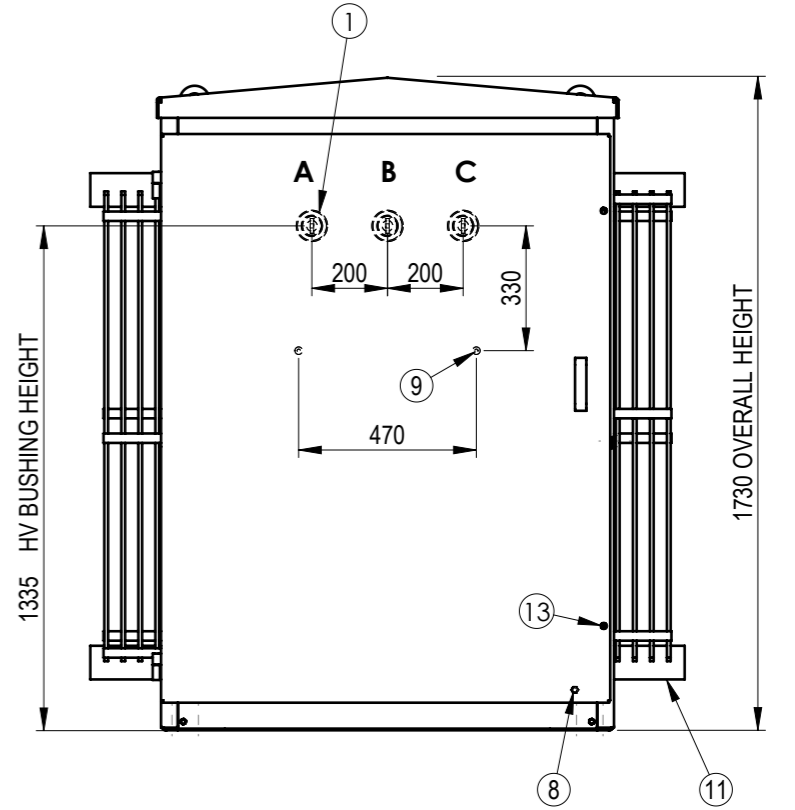
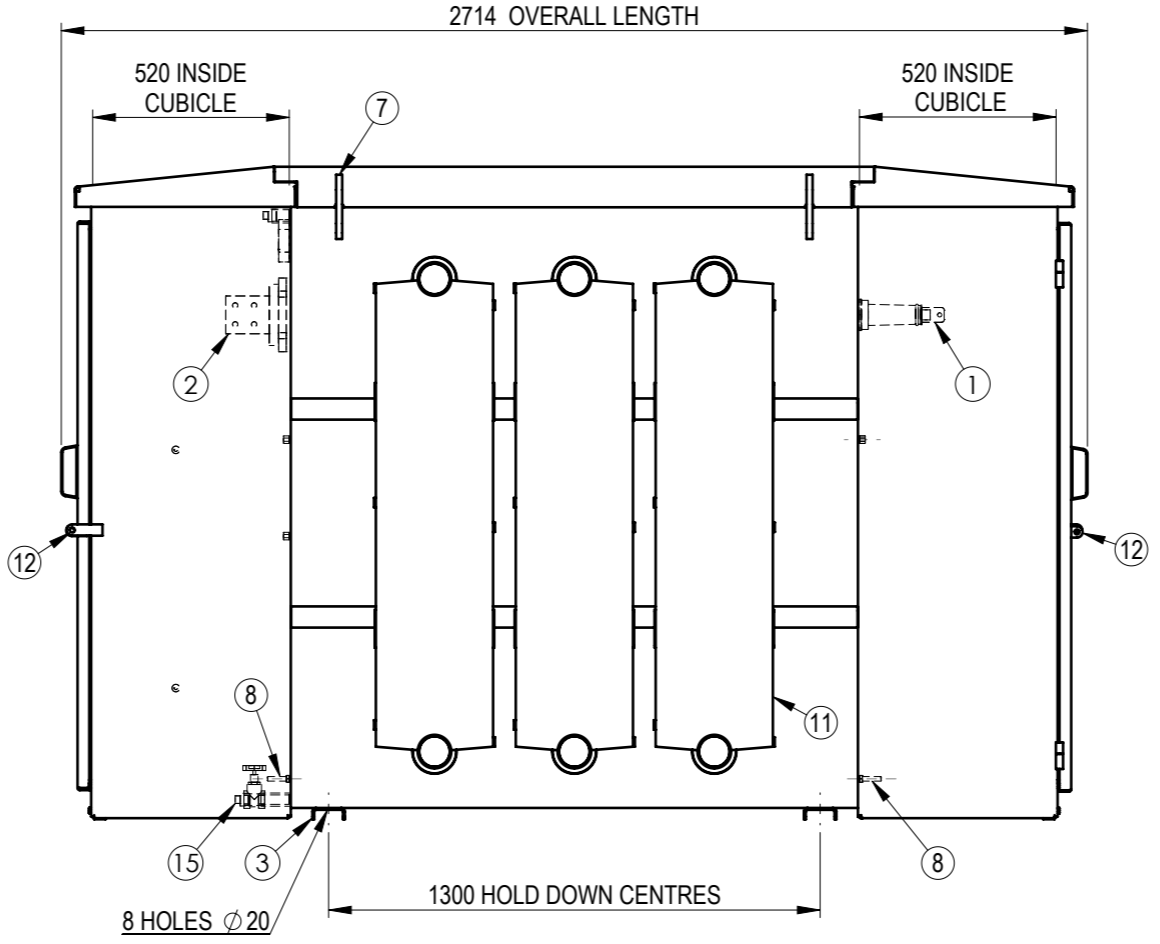
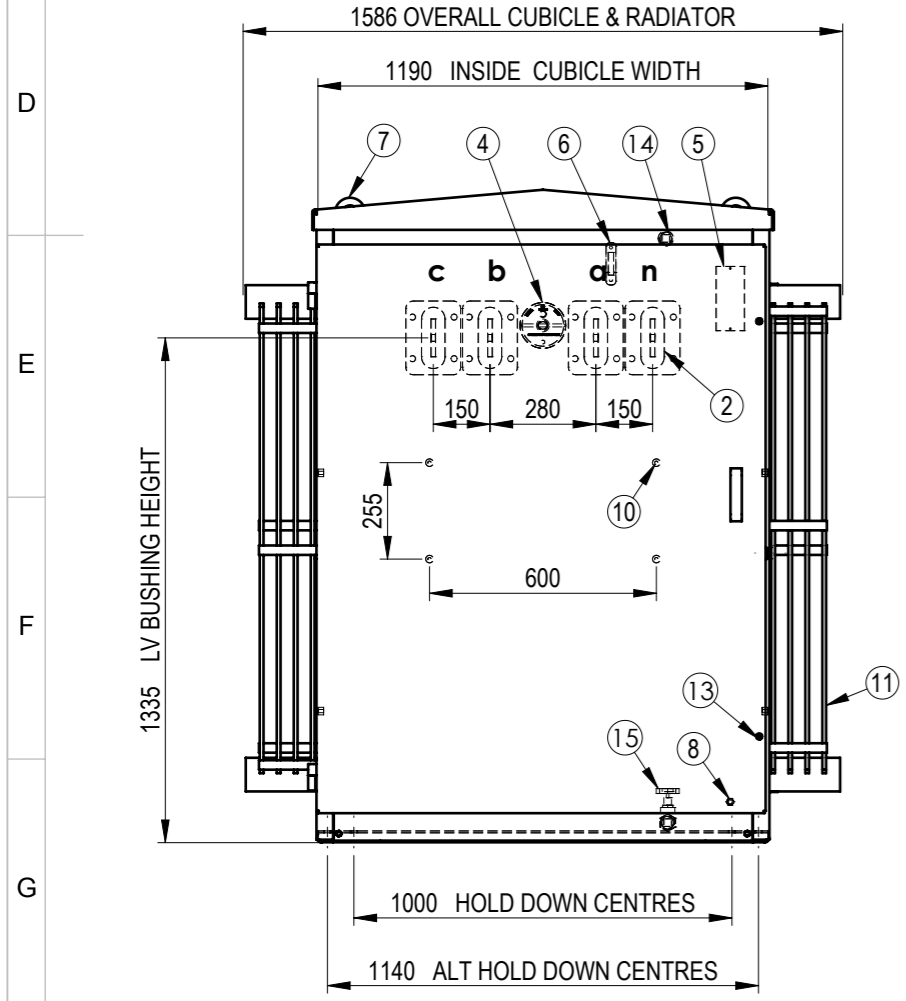
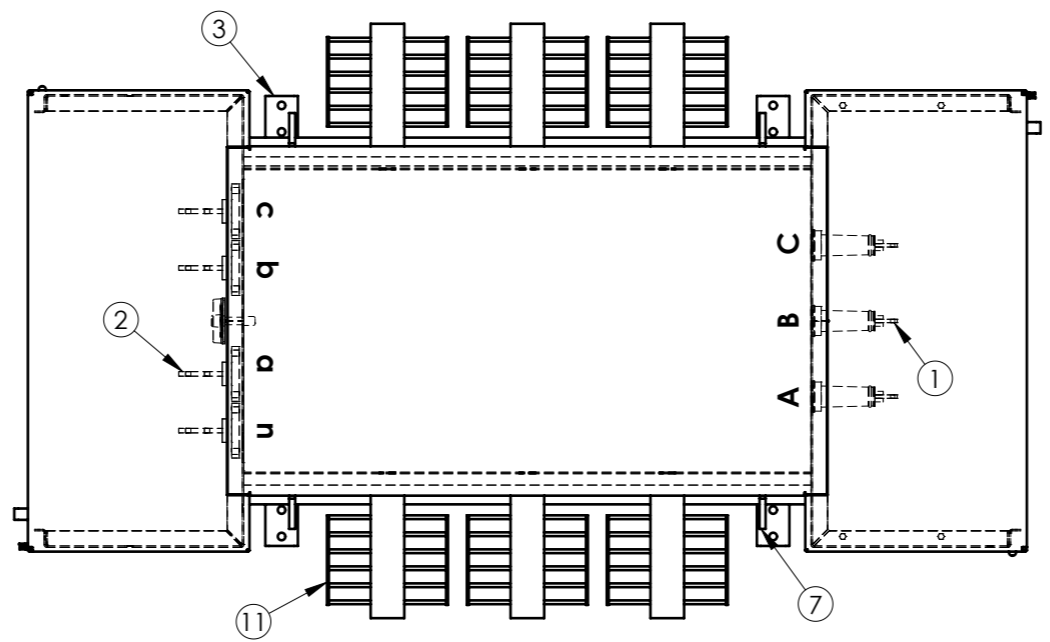
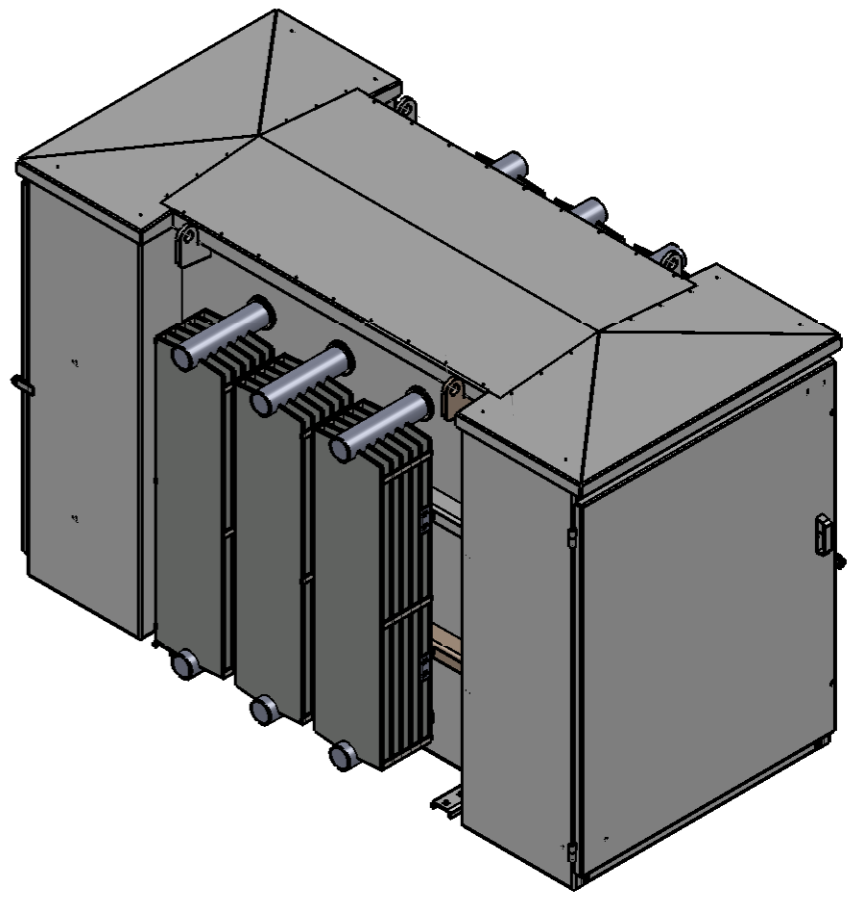


ITEM	DESCRIPTION
1	HV BUSHING -2 PIECE 11KV CABLEBOX 160A -COPPER TERMINAL. LIVE TERMINAL MUST HAVE INSULATING BOOT.(Supplied & Fitted by Customer)
2	LV BUSHING MONOBLOCK 2500A 3.3kV
3	HOLD DOWN CHANNELS
4	TAPSWITCH HANDLE
5	RATING PLATE (INSIDE LV DOOR)
6	OIL LEVEL SIGHTGLASS
7	LIFTING LUG
8	EARTH STUD -M12x50mm S/STEEL
9	HV SWITCHBOARD BRACKETS-M10x15 NUTS
10	LV SWITCHBOARD BRACKETS-M10x15 NUTS
11	RADIATOR
12	PADLOCKABLE HINGED ACCESS DOOR
13	DOOR, ALLEN HEAD BOLTS & RUBBER PLUGS
14	25NB FILLER SOCKET & PLUG
15	25NB DRAIN VALVE & PLUG

4	5	6	7
kVA	OIL LITRES	UNTANKING MASS kg	TOTAL APPROX kg
1500	1230	2600	4750



REV	DESCRIPTION	DESIGN AUTHORITY	TK	8/03/2016	JS	8/03/2016
D	MISSING DIMENSIONS ADDED	DESIGN IMPROVEMENT	TK	8/03/2016	JS	8/03/2016
REVISION INFORMATION						

NAME	SIGNATURE	DATE	SCALE AT A3 = 1:20	TITLE:
DRAWN: AR		18/11/2014		<b>GENERAL ARRANGEMENT 1500kVA PADMOUNT</b>  <b>11000/415-240 3PH Dyn11 520mm DEEP HV+ LV CUBICLES</b>
CHECKED: VS		18/11/2014		
APPROVED: VS		18/11/2014		
WEIGHT:		FINISH:	UNLESS SPECIFIED: DIMENSIONS ARE IN mm	
MATERIAL:		TOLERANCES: LINEAR: X = ± 1 .X = ± 0.5 .XX = ± 0.1		ANGULAR: X = ± 0.5°

Copyright © ETEL Limited. All rights reserved.  
No part of this document may be reproduced nor information contained hereon divulged to third parties without written consent from ETEL Limited.

**ETEL**  
Distribution Transformers

SHEET 1 OF 1	DWG NO. 904.1500.3403	REV. D
-----------------	--------------------------	-----------