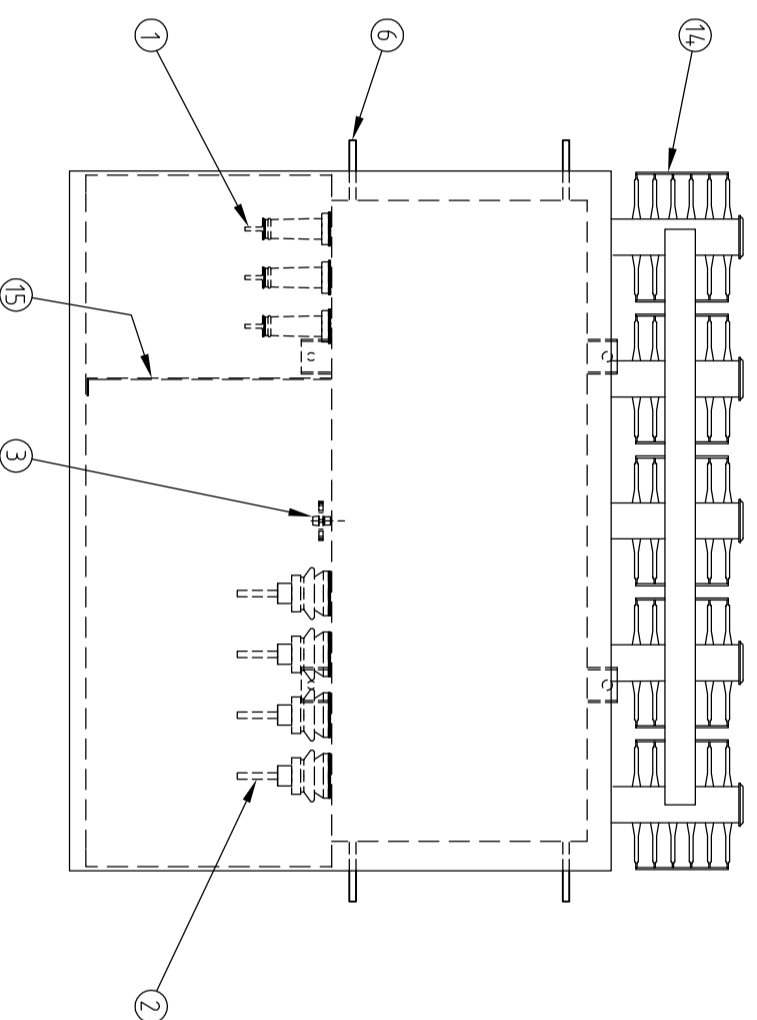
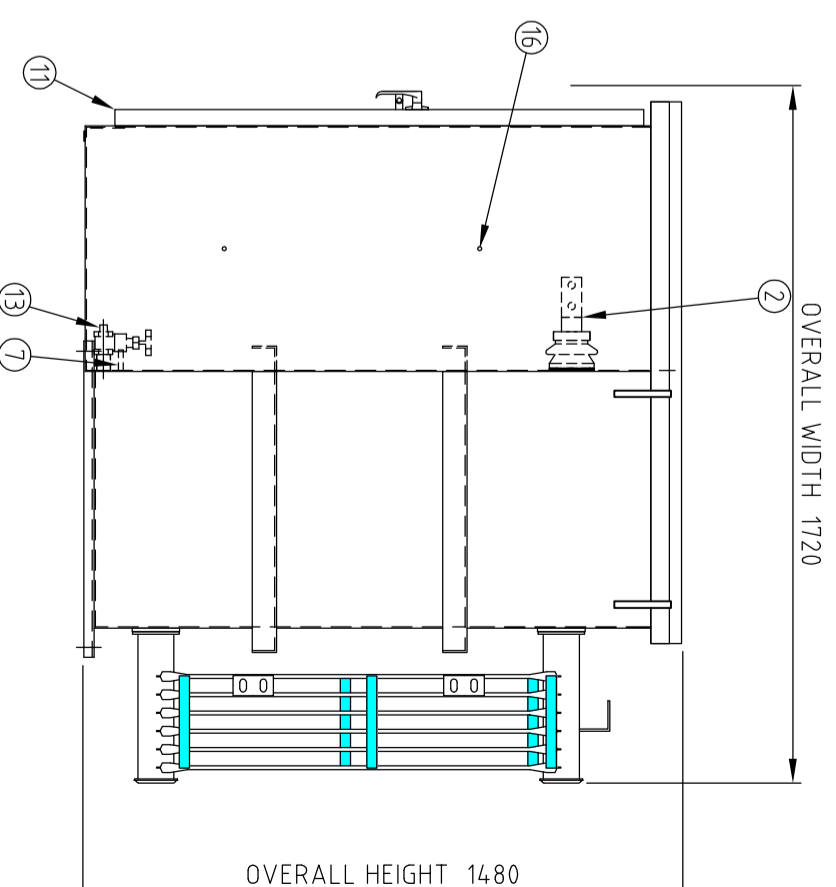
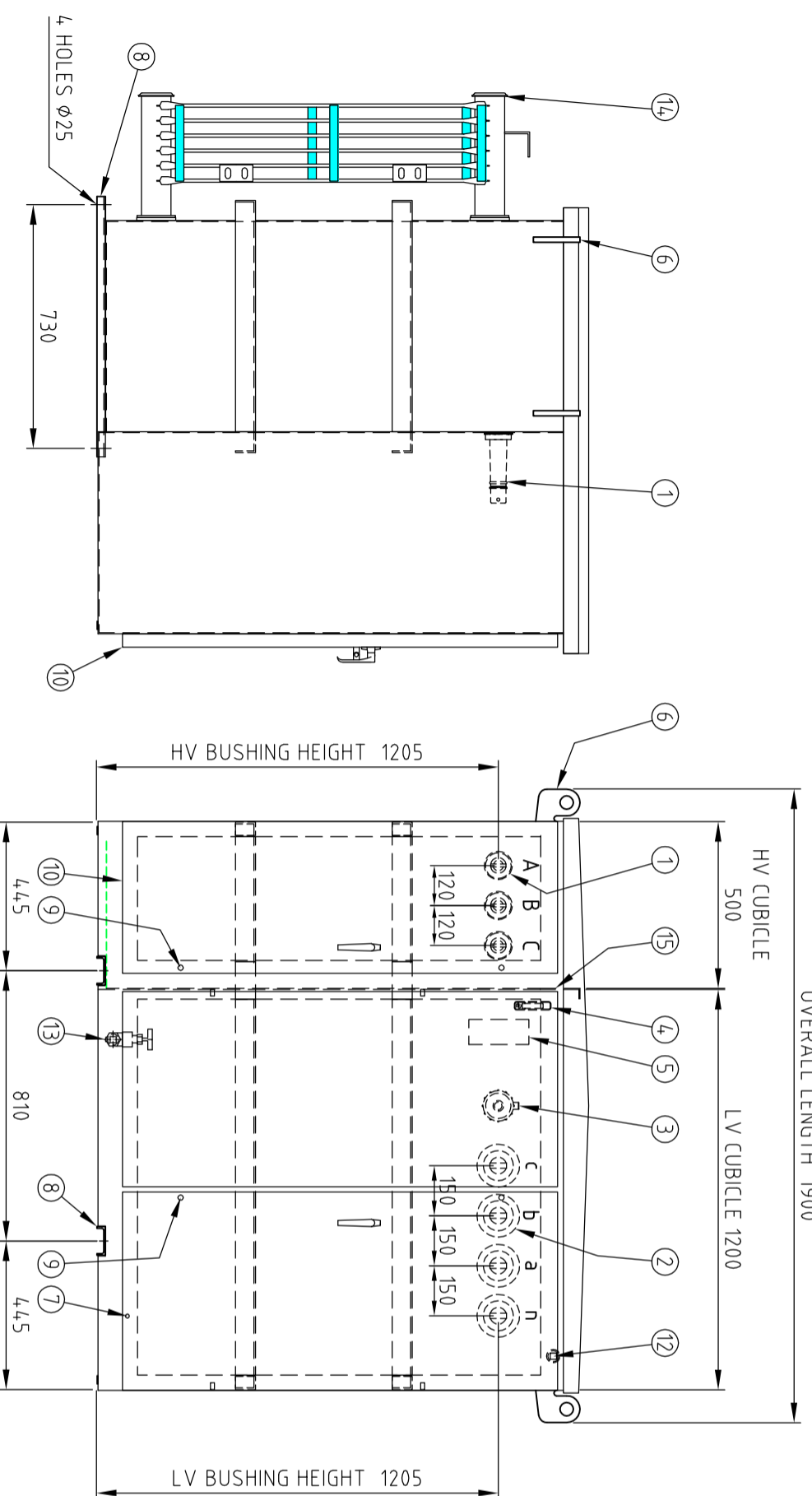


kVA	OIL Litres	UNTANKING MASS kg	TOTAL kg
750	960	1400	2990



ITEM	DESCRIPTION
1	H.V. CABLEBOX BUSHINGS, 11kV, 160A
2	L.V. BUSHINGS, ESAA No. 73, 1050A
3	TAPSWITCH HANDLE & LOCKING BRACKET
4	OIL LEVEL GAUGE
5	RATING PLATE (POSITIONED INSIDE LV DOOR)
6	LIFTING LUG
7	EARTH STUD -M12 STAINLESS STEEL
8	BASE MOUNTING CHANNEL
9	DOOR, ALLEN HEAD BOLTS & RUBBER PLUGS
10	HV COMPARTMENT, PADLOCKABLE HINGED DOOR
11	LV COMPARTMENT, PADLOCKABLE HINGED DOOR
12	25NB OIL FILLING SOCKET & PLUG
13	25NB DRAIN VALVE & PLUG
14	COOLING RADIATORS
15	COMPARTMENT SEGREGATION
16	LV SWITCHBOARD BKT. M10 x 20 NUTS



REV	DESCRIPTION	DRAWN	DATE	APPD.	DRAWN	DATE
B	ITEM 14, QTY 5 was 4, 960 was 950 & 2990 was 2900	M.S.	21 MAY 10	V.S.	A.ROBERTS	9 APR 2010
C	ITEM 13 RELOCATED MORE CENTRAL	M.S.	09 DEC 10	V.S.	VIRGILIO	
D	SHOWN RAD SUPPORT BRACKET	O.P.	14 MAY 18			

GENERAL ARRANGEMENT
 750kVA 3φ 11000 / 415V Dyn11
 FRONT ACCESS KIOSK TRANSFORMER
 HV CUBICLE 600mm DEEP & 500mm WIDE
 LV CUBICLE 600mm DEEP & 1200mm WIDE

ETEL
 Distribution Transformers

DRAWING No. **039.904.0512**

REV **D**

TOLERANCE +/- 2mm

904.0750.3601