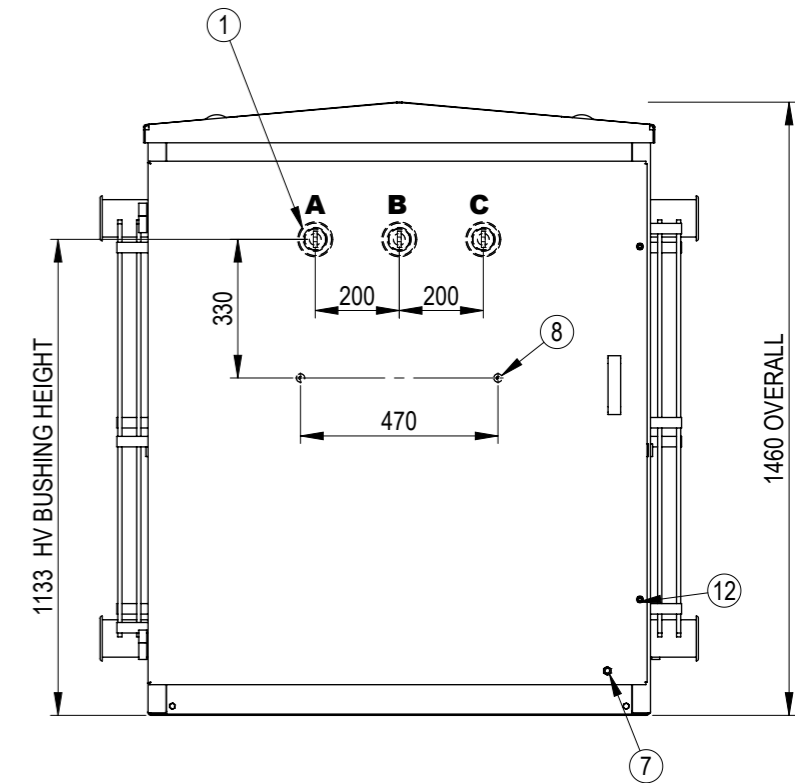
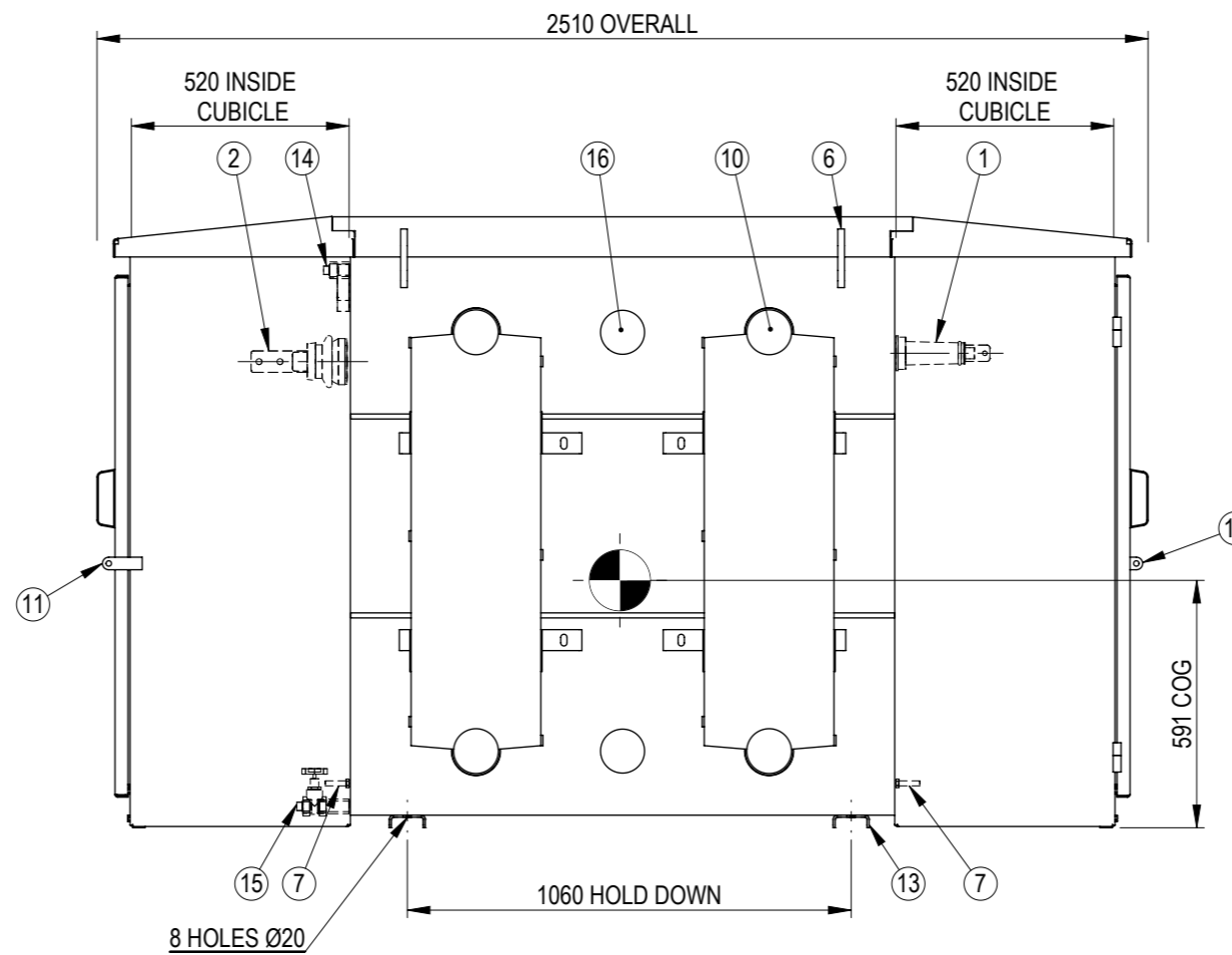
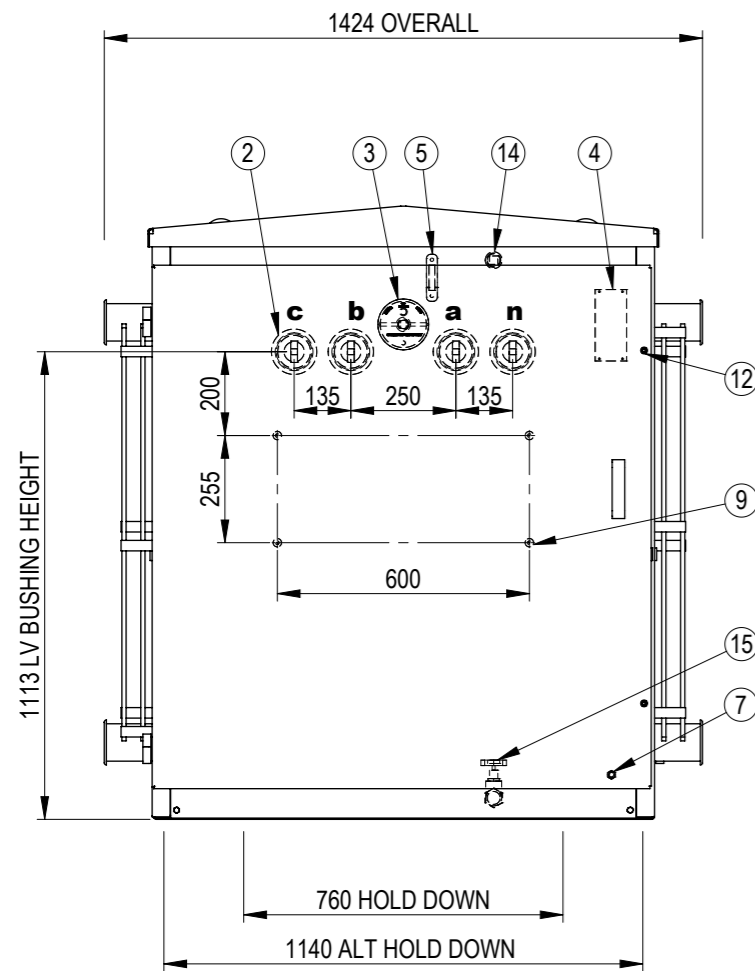


ITEM	DESCRIPTION
1	HV BUSHING 11kV 160A
2	LV BUSHING 3.3kV 1400A
3	TAPSWITCH HANDLE
4	RATING PLATE (INSIDE LV DOOR)
5	OIL LEVEL GAUGE
6	LIFTING LUG
7	EARTH STUD - M12 S/STEEL
8	HV SWITCHBOARD MOUNTING LONG NUTS - M10x15
9	LV SWITCHBOARD MOUNTING LONG NUTS - M10x15
10	COOLING RADIATOR
11	PADLOCKABLE HINGED BOLTS & RUBBER PLUGS
12	DOOR, ALLEN HEAD BOLT & RUBBER PLUGS
13	HOLD DOWN CHANNELS
14	25NB FILLER SOCKET & GALV PLUG
15	25NB DRAIN VALVE & GALV PLUG
16	BLANKING PLATE

APPROXIMATE MASS	kg
OIL (730 LITRES)	640
UNTANKING MASS	1410
TOTAL	2930



NAME	SIGNATURE	DATE	SCALE AT A3 = 1:18
DRAWN	SL	4/05/2018	
CHECKED	JS	04/05/2018	
APPROVED	JS	4/05/2018	
WEIGHT:		FINISH:	UNLESS SPECIFIED: DIMENSIONS ARE IN mm
MATERIAL:		TOLERANCES: LINEAR: X = ± 1 X = ± 0.5 .XX = ± 0.1 ANGULAR: X = ± 0.5°	

TITLE: **GENERAL ARRANGEMENT**
750kVA 3Ph PADMOUNT TRANSFORMER
11kV / 415 - 240V Dyn11

Copyright © ETEL Limited. All rights reserved.
 No part of this document may be reproduced nor information contained hereon divulged to third parties without written consent from ETEL Limited.

ETEL
 Distribution Transformers

SHEET	DWG NO.	REV.
1 OF 1	904.0750.3404	A

REV	DESCRIPTION	AUTHORITY	DRAWN	DATE	APPD	DATE
A	INITIAL RELEASE	INITIAL RELEASE	SL	4/05/2018	JS	4/05/2018

REVISION INFORMATION