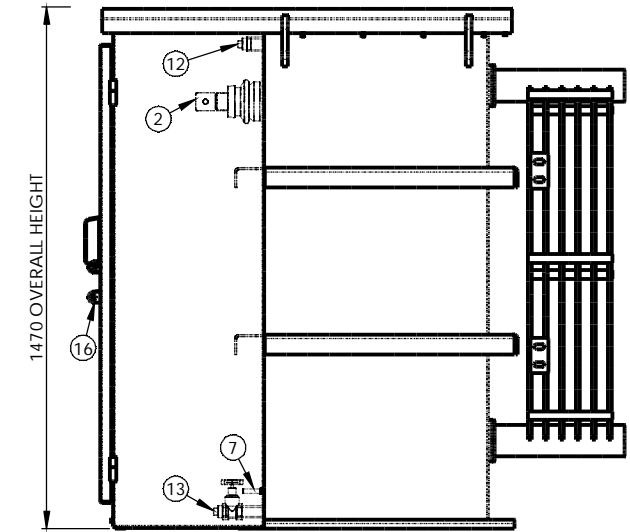
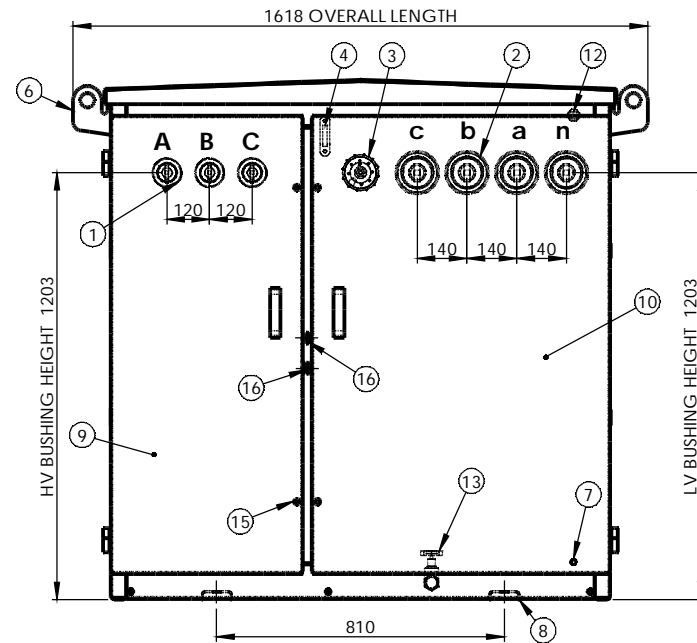
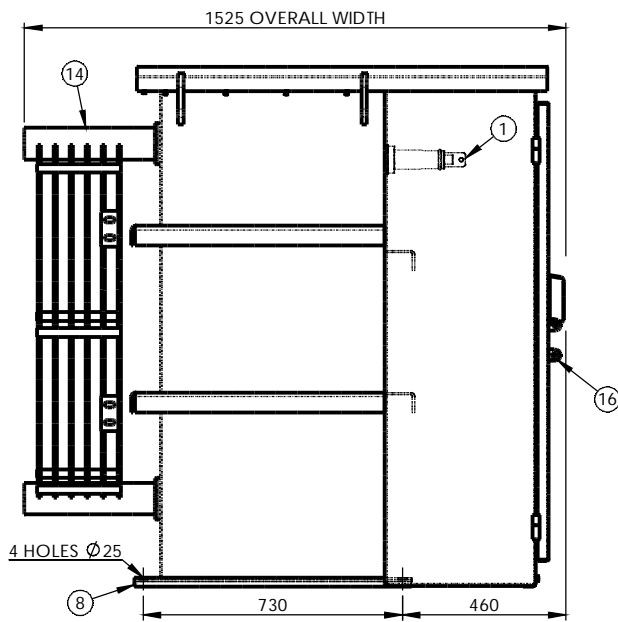
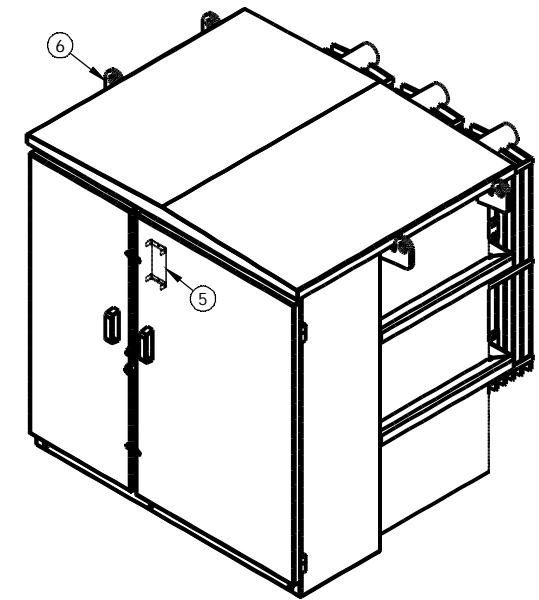
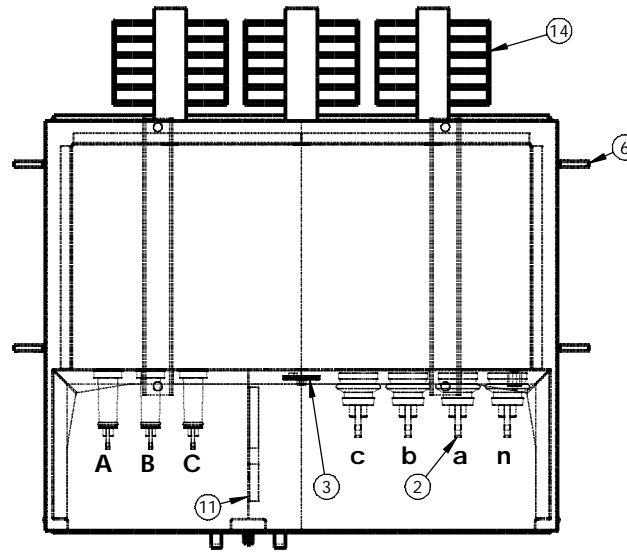



ITEM	DESCRIPTION
1	H.V. CABLEBOX BUSHINGS, 11kV, 160A
2	L.V. BUSHINGS, ESAA No. 73, 700A
3	TAPSWITCH HANDLE & LOCKING BRACKET
4	OIL LEVEL GAUGE
5	RATING PLATE (INSIDE LV DOOR)
6	LIFTING LUG
7	EARTH TERMINAL
8	TIE DOWN CHANNEL
9	HV COMPARTMENT
10	LV COMPARTMENT
11	COMPARTMENT SEGREGATION
12	25NB OIL FILLER SOCKET & PLUG
13	25NB DRAIN VALVE & PLUG
14	COOLING RADIATOR
15	DOOR, ALLEN HEAD BOLTS & RUBBER PLUGS
16	PADLOCKABLE HINGED ACCESS DOOR

APPROXIMATE MASSES	kg
OIL 785 litre	690
UNTANKING MASS	1100
TOTAL	2340



REV	DESCRIPTION	DRAWN	DATE	APPD.	DRAWN	A.ROBERTS
B	HANDLES REVISED	A.R.	25 MAY 12	V.S.	DATE	4 APR 2011
.	.	.	.	.	CHECKED	VIRGILIO
.	.	.	.	.	DATE	4 APR 2011
.	.	.	.	.	SCALE	1:15
.	.	.	.	.	TOLERANCE	+/- 2mm

**GENERAL ARRANGEMENT**  
**500kVA 3PH FRONT ACCESS**  
 11kV/415-240V Dyn11  
 HV CUBICLE 420mm DEEP & 550mm WIDE.  
 LV CUBICLE 420mm DEEP & 850mm WIDE.

  
 Distribution Transformers

DRAWING No. <b>D904.0500.3607</b>	REV <b>B</b>
--------------------------------------	-----------------