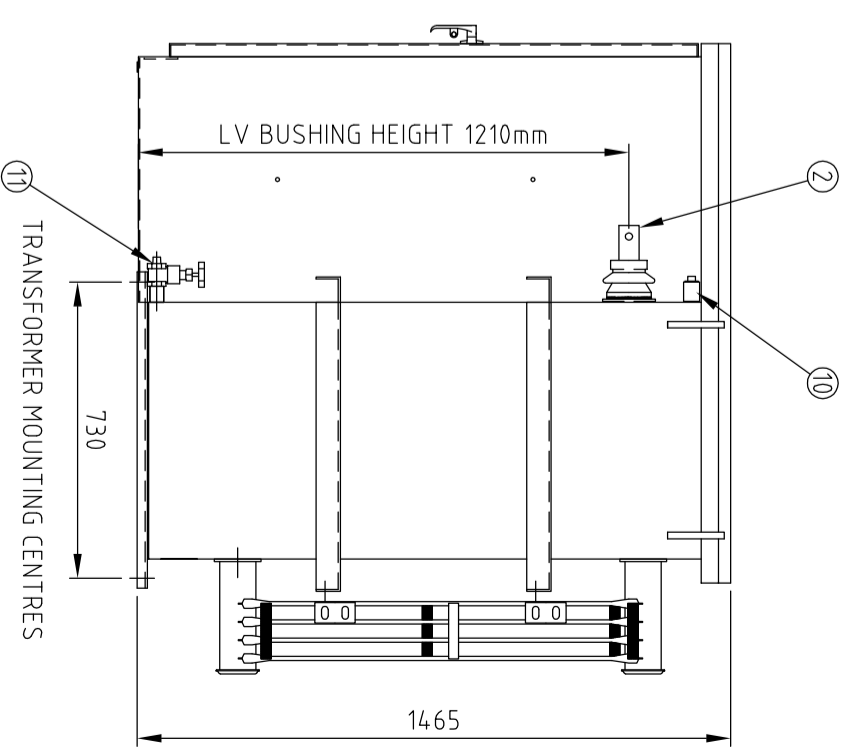


TRANSFORMER MOUNTING CENTRES  
DOORS NOT SHOWN FOR CLARITY

ITEM	DESCRIPTION
1	HV BUSHING - TWO PIECE 11kV, 160A
2	LV BUSHING - No 73, 1050A 1 HOLE
3	TAPSWITCH HANDLE AND BRACKET
4	OIL LEVEL GUAGE
5	LIFTING LUG
6	HV COMPARTMENT, HINGED PADLOCKABLE DOOR
7	LV COMPARTMENT, HINGED PADLOCKABLE DOOR
8	COOLING RADIATORS
9	COMPARTMENT SEGREGATION
10	FILLER SOCKET
11	DRAIN VALVE 25NB
12	EARTH STUD
13	RATING PLATE (FITTED TO INSIDE OF DOOR)

kVA	OIL Litres	UNANKING MASS kg	TOTAL kg
500	993	1100	2650



REV	DESCRIPTION	DRAWN	DATE	APPD.
B	GATE VALVES ADDED. BUSHINGS MOVED.	WS	05/08/10	VS
C	LV BUSHINGS WERE 700A	JS	09/08/18	NU

500kVA FRONT ACCESS KIOSK TRANSFORMER  
GENERAL ASSEMBLY  
TO SUIT DESIGN 213

**General**  
Distribution Transformers

DRAWING No. 039.904.0543

REV C