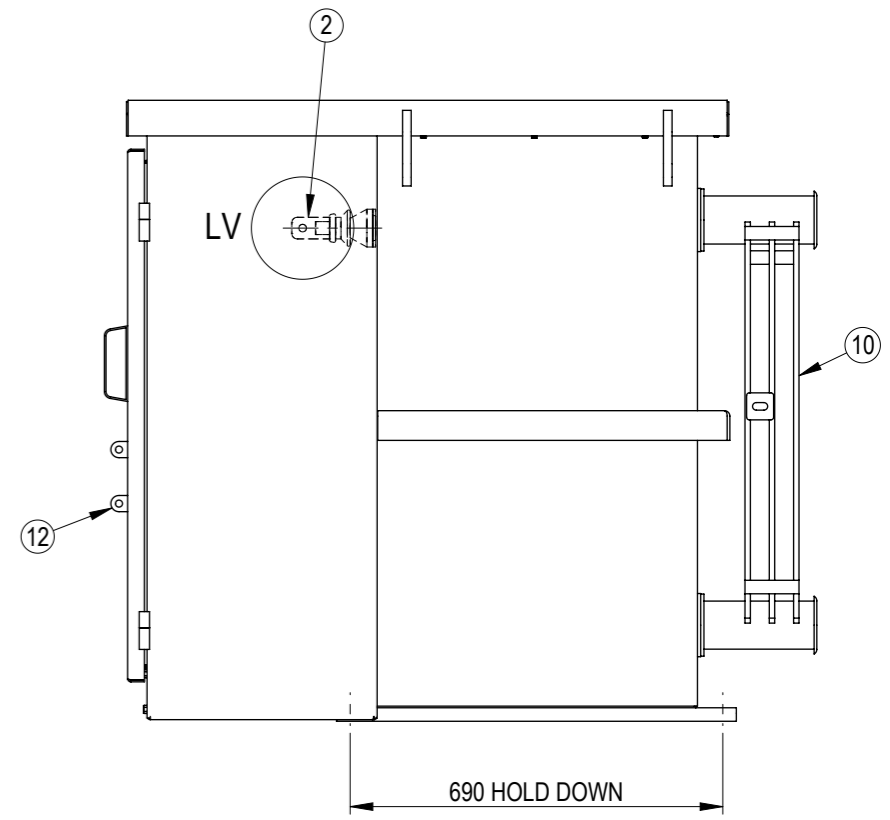
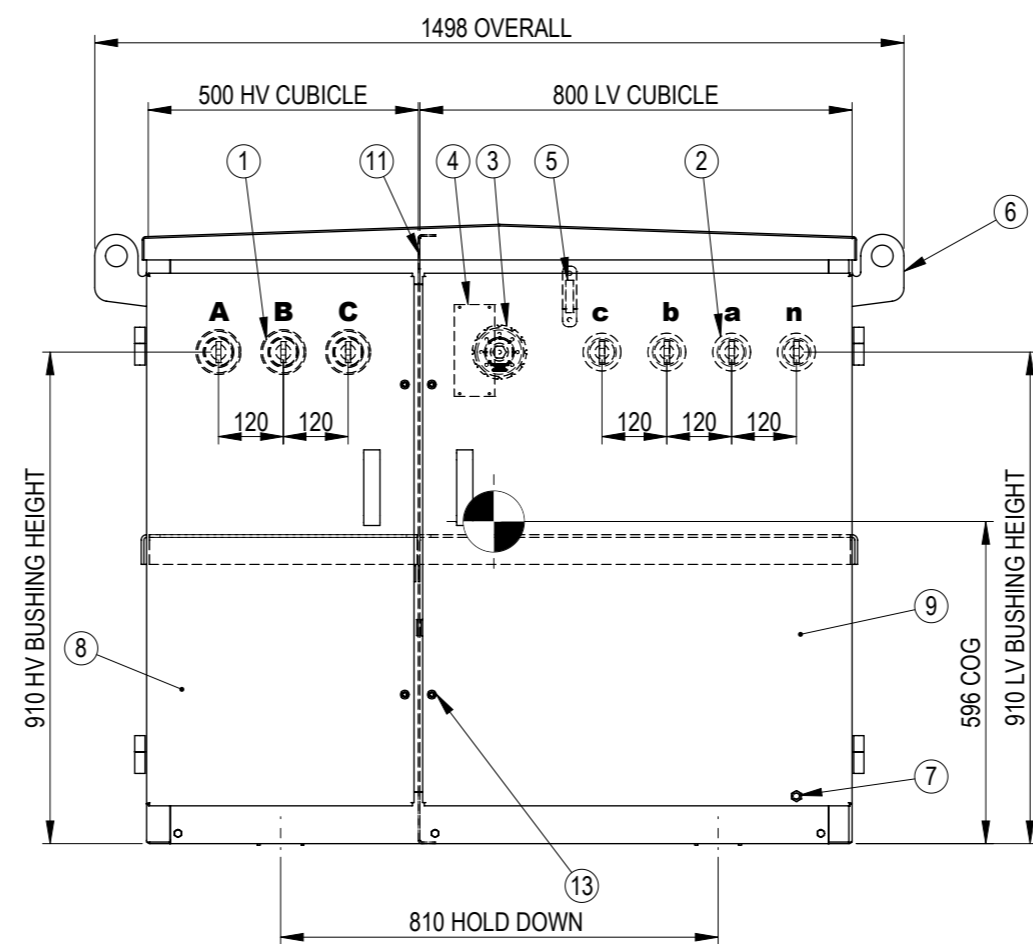
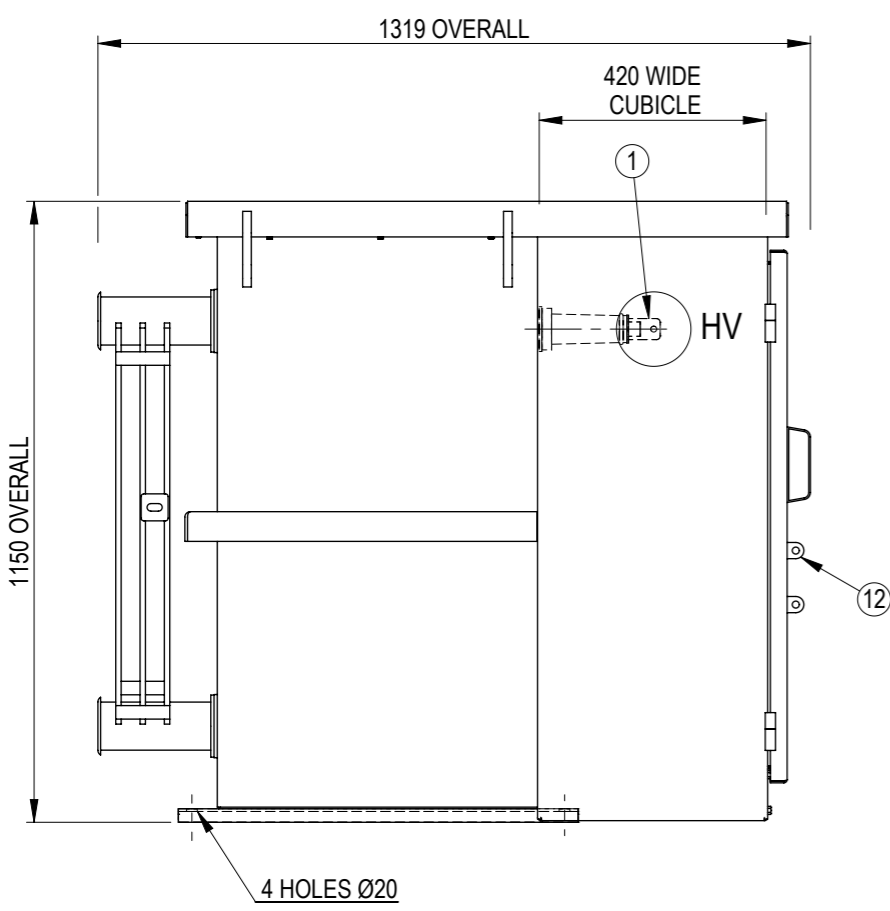


ITEM	DESCRIPTION
1	HV BUSHING C/BOX 11kV , 2 Pce, 160A
2	LV BUSHING NO. 72, 415V
3	TAPSWITCH HANDLE WITH LOCKING BRACKET
4	RATING PLATE
5	OIL GAUGE
6	LIFTING LUG
7	EARTH STUD M12 S/STEEL
8	HV COMPARTMENT
9	LV COMPARTMENT
10	COOLING RADIATORS
11	COMPARTMENT SEGREGATION
12	CUBICLE TO DOOR PADLOCKING BRACKETS
13	DOOR ALLEN KEY BOLTS & RUBBER PLUGS

kVA	OIL Litres	UNTANKING MASS kg	TOTAL kg
300	500	775	1560



NAME	SIGNATURE	DATE	SCALE AT A3 = 1:14	TITLE:
DRAWN	SL	12/07/2019		<b>GENERAL ARRANGEMENT</b> <b>300kVA FRONT ACCESS KIOSK</b> <b>LV CUBICLE 420mm DEEP &amp; 800 WIDE</b> <b>HV CUBICLE 420mm DEEP &amp; 500 WIDE</b>
CHECKED	NU	29/07/2019		
APPROVED	PJ	29/07/2019		
WEIGHT: -		FINISH: -		UNLESS SPECIFIED: DIMENSIONS ARE IN mm
MATERIAL: -				TOLERANCES: LINEAR: X = ± 1, .X = ± 0.5, .XX = ± 0.1; ANGULAR: X = ± 0.5°

REV	DESCRIPTION	AUTHORITY	DRAWN	DATE	APPD	DATE
A	INITIAL RELEASE	INITIAL RELEASE	SL	12/07/2019	PJ	29/07/2019

REVISION INFORMATION

Copyright © ETEL Limited. All rights reserved.  
 No part of this document may be reproduced nor information contained hereon divulged to third parties without written consent from ETEL Limited.



SHEET	DWG NO.	REV.
1 OF 1	904.0300.3601	A