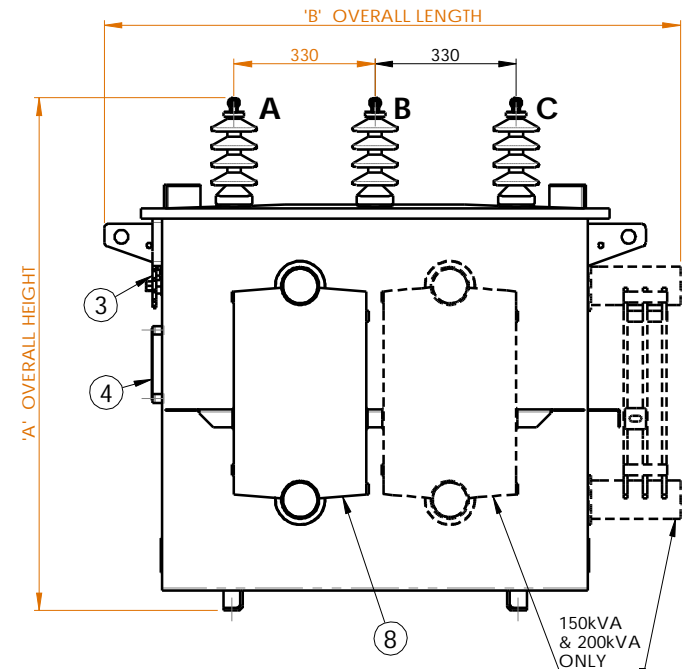
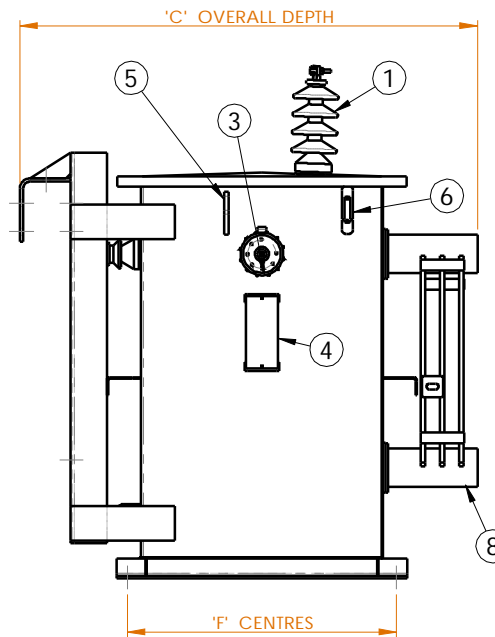
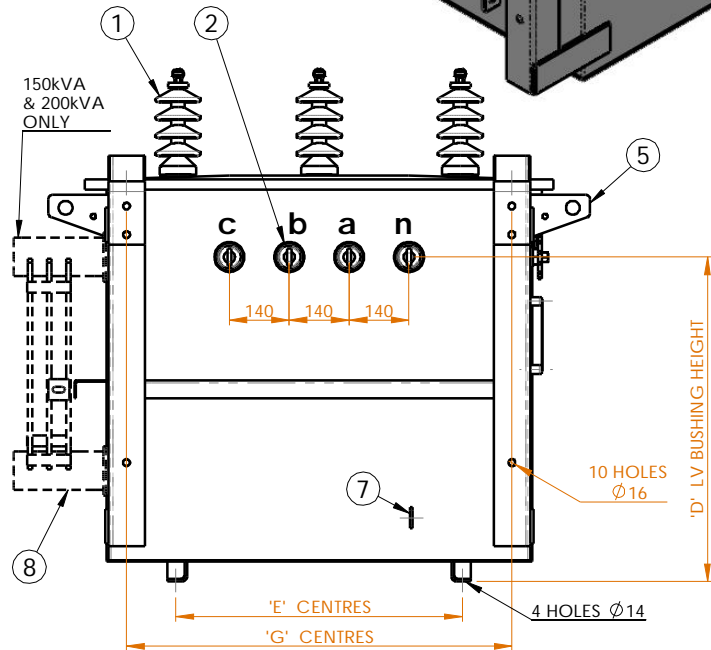


kVA	'A'	'B'	'C'	'D'	'E'	'F'	'G'	OIL Litres	UNTANKING MASS kg	TOTAL MASS kg
100	1150	1150	1000	720	560	550	800	240	370	750
150	1210	1350	1040	750	670	590	900	305	450	955
200	1200	1350	1080	760	670	630	900	310	550	1020


ITEM	DESCRIPTION
1	HV BUSHING 11kV No75 -4 SHED EYEBOLT
2	LV BUSHING 415V -ESAA No71
3	TAPSWITCH HANDLE & LOCKING BRACKET
4	RATING PLATE
5	LIFTING LUG
6	OIL LEVEL GAUGE
7	EARTH TERMINALS - STAINLESS STEEL
8	COOLING RADIATOR -AS REQD



REV	DESCRIPTION	DRAWN	DATE	APPD.	DRAWN	A.ROBERTS
B	'G' DIM ADDED	A.R.	29 NOV13	J.S.	DATE	25 MAY 2011
.	CHECKED	VIRGLIO
.	DATE	25 MAY 2011
.	SCALE	1:12.5
.	TOLERANCE	+/- 2mm

GENERAL ARRANGEMENT

3Ø POLE CROSS-ARM TRANSFORMER
11000/415-240V
100kVA, 150kVA, 200kVA



ATEL
Distribution Transformers

DRAWING No. D904.0200.3004	REV B
--------------------------------------	-----------------