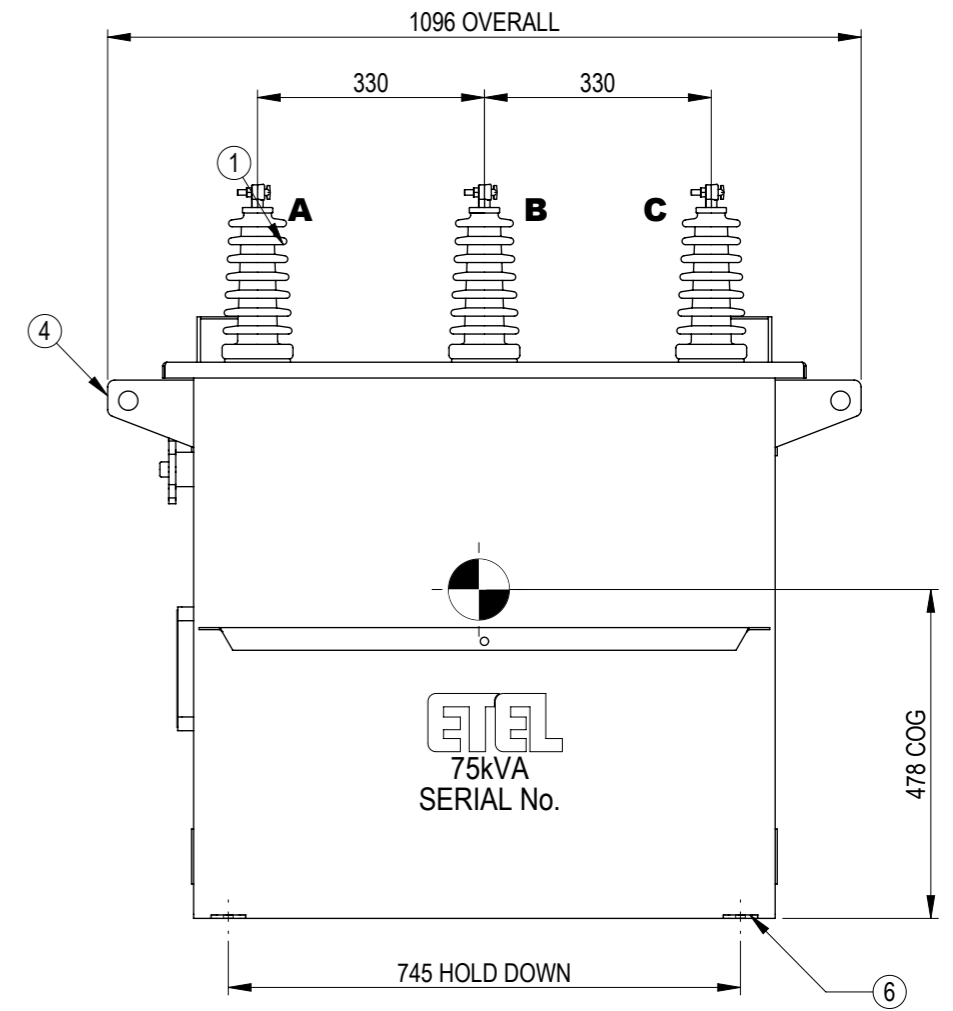
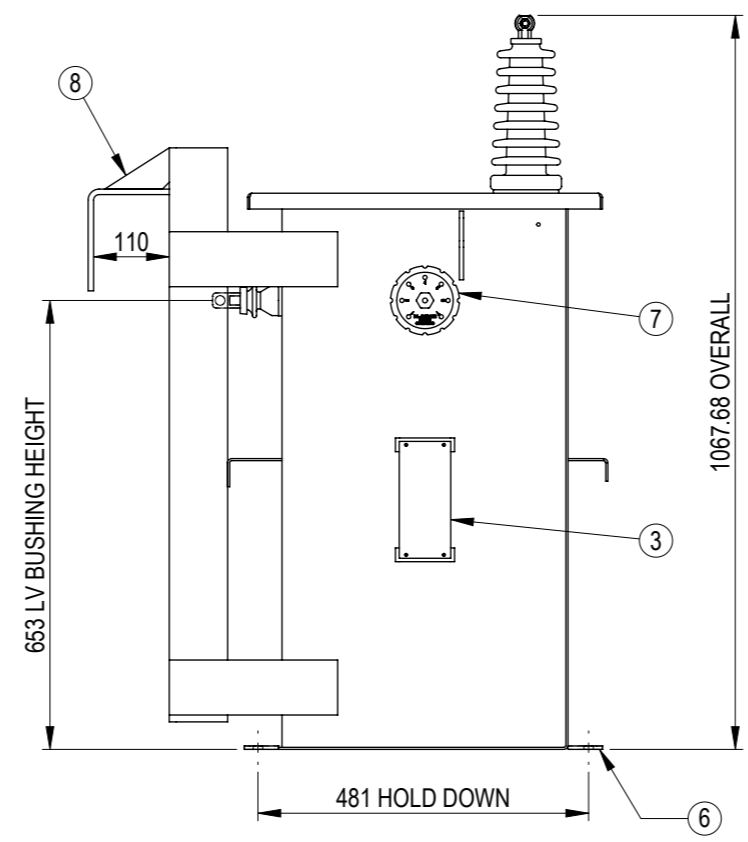
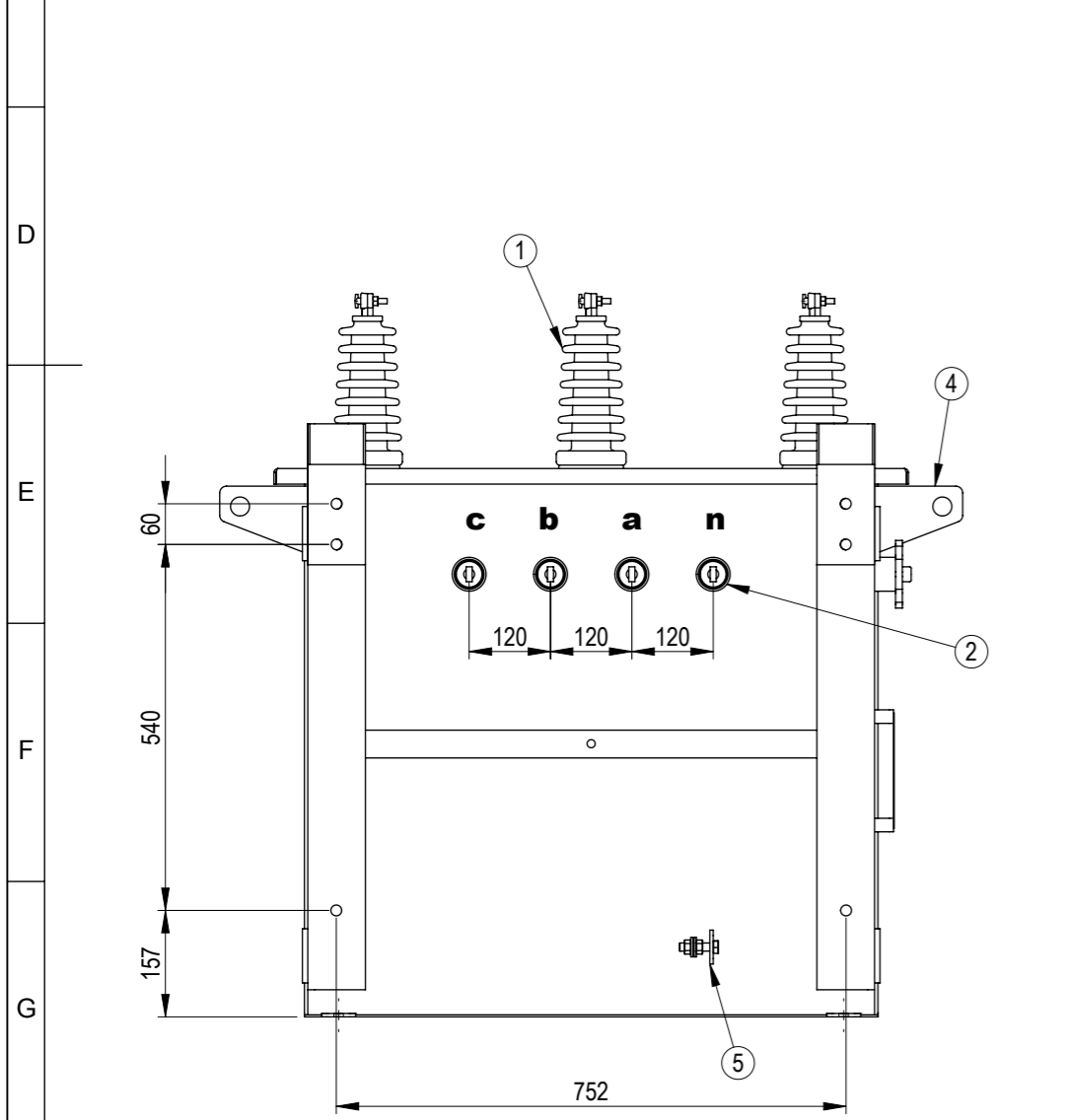


APPROXIMATE MASSES		kg
OIL	177 litre	156
UNTANKING MASS		280
TOTAL		542

ITEM No.	DESCRIPTION
1	HV BUSHING - No. 75, 2Pce, 30A
2	LV BUSHING - No. 71, 160A
3	RATING PLATE
4	LIFTING LUG
5	EARTH FLAG
6	TIE DOWN
7	TAPSWITCH HANDLE
8	POLE MOUNTING BRACKET

NOTE:
 A. ETEL COMPANY LABEL.
 B. KVA AND SERIAL No.
 C. LABELS - SELF ADHESIVE, BLACK VINYL, WEATHERPROOF.



REV	DESCRIPTION	AUTHORITY	DRAWN	DATE	APPD	DATE
A	INITIAL RELEASE	DESIGN IMPROVEMENT	SL	24/04/2019	OP	24/04/2019

REVISION INFORMATION

NAME	SIGNATURE	DATE	SCALE AT A3 = 1:11
DRAWN	SL	24/04/2019	
CHECKED	OP	24/04/2019	
APPROVED	OP	24/04/2019	

WEIGHT: - FINISH: -
 UNLESS SPECIFIED: DIMENSIONS ARE IN mm
 TOLERANCES: LINEAR: X = ± 1 ANGULAR: X = ± 0.5°
 .X = ± 0.5 .XX = ± 0.1

TITLE: **GENERAL ARRANGEMENT**
75kVA 3Ph POLEXARM TRANSFORMER
11kV / 415-240V Dyn11

Copyright © ETEL Limited. All rights reserved.
 No part of this document may be reproduced nor information contained hereon divulged to third parties without written consent from ETEL Limited.

ETEL
 Distribution Transformers

SHEET 1 OF 1 DWG NO. 904.0075.3001 REV. A