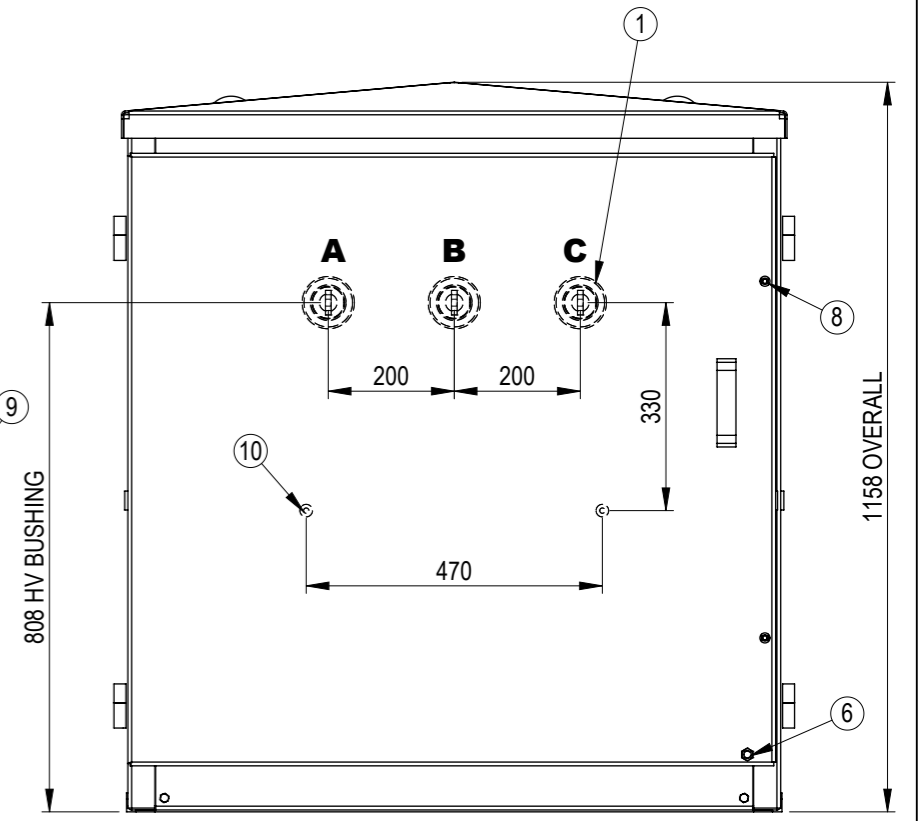
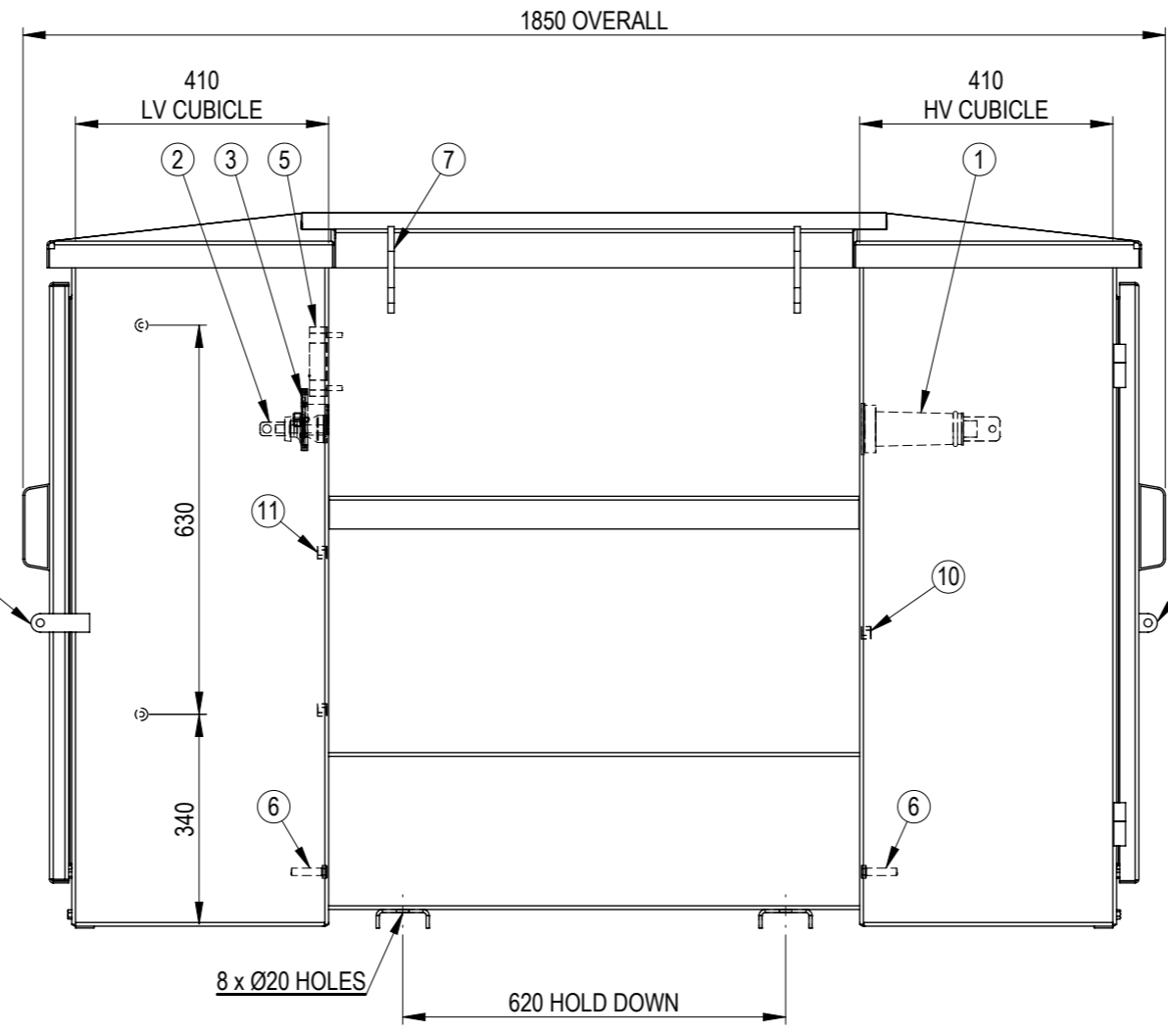
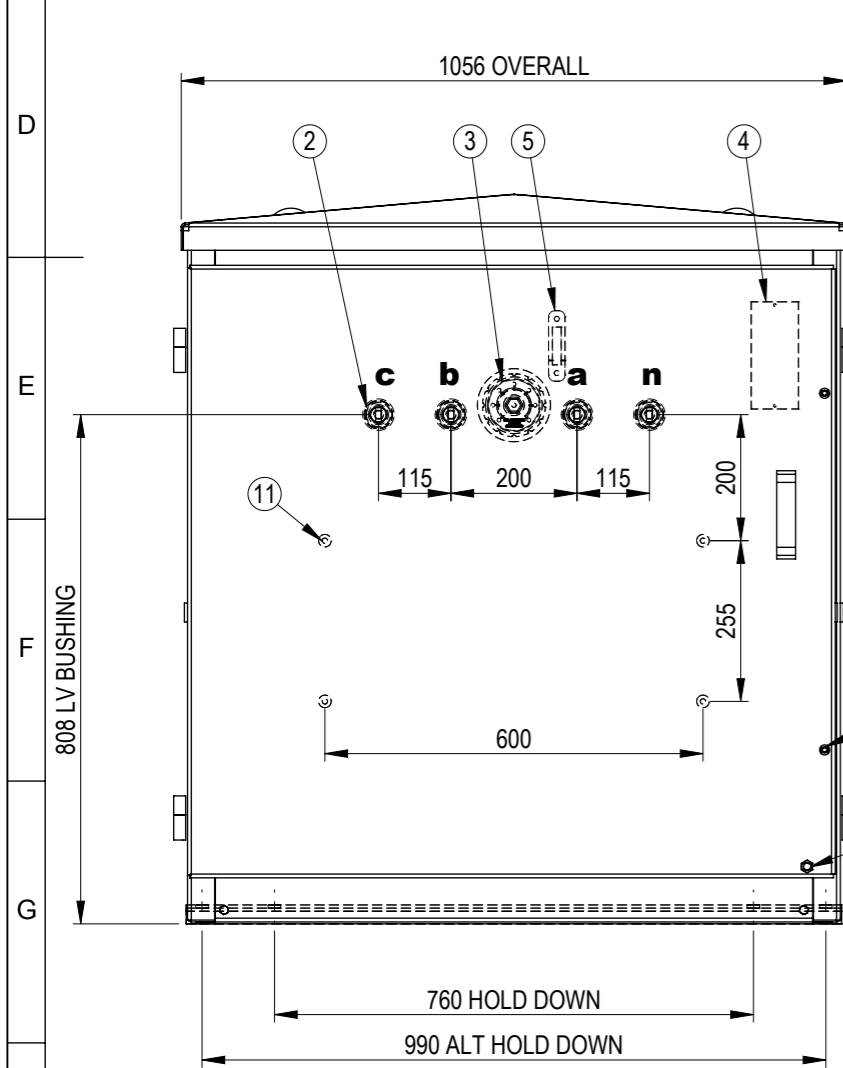


ITEM	DESCRIPTION
1	HV BUSHING CB 2 PIECE 11kv 160A
2	LV BUSHING No 71 0.66kv 200A
3	TAPSWITCH HANDLE
4	RATING PLATE
5	OIL LEVEL INDICATOR SIGHT GLASS
6	EARTH STUD M12 SS
7	LIFTING LUG
8	DOOR, ALLEN KEY & RUBBER PLUG
9	PADLOCKABLE DOOR
10	HV SWITCHBOARD M10x20 LONG NUTS
11	LV SWITCHBOARD M10x20 LONG NUTS

APPROXIMATE MASS	kg
OIL (205 LITRES)	180
UNTANKING MASS	230
TOTAL	740



REV	DESCRIPTION	INITIAL RELEASE	INITIAL RELEASE	SL	31/10/2017	JS	31/10/2017
REV	DESCRIPTION	AUTHORITY	DRAWN	DATE	APPD	DATE	
A		INITIAL RELEASE	SL	31/10/2017	JS	31/10/2017	

REVISION INFORMATION

NAME	SIGNATURE	DATE	SCALE AT A3 = 1:12
DRAWN	SL	31/10/2017	
CHECKED	OP	31/10/2017	
APPROVED	JS	31/10/2017	
WEIGHT:		FINISH:	
-		-	
MATERIAL:		UNLESS SPECIFIED: DIMENSIONS ARE IN mm	
-		TOLERANCES: LINEAR: X = ± 1 ANGULAR: X = ± 0.5°	
		.X = ± 0.5 .XX = ± 0.1	

TITLE: GENERAL ARRANGEMENT
50kVA 3Ph PADMOUNT
11kV / 415-240V

Copyright © ETEL Limited. All rights reserved.
 No part of this document may be reproduced nor information contained hereon divulged to third parties without written consent from ETEL Limited.

ETEL
Distribution Transformers

SHEET	DWG NO.	REV.
1 OF 1	904.0050.3403	A