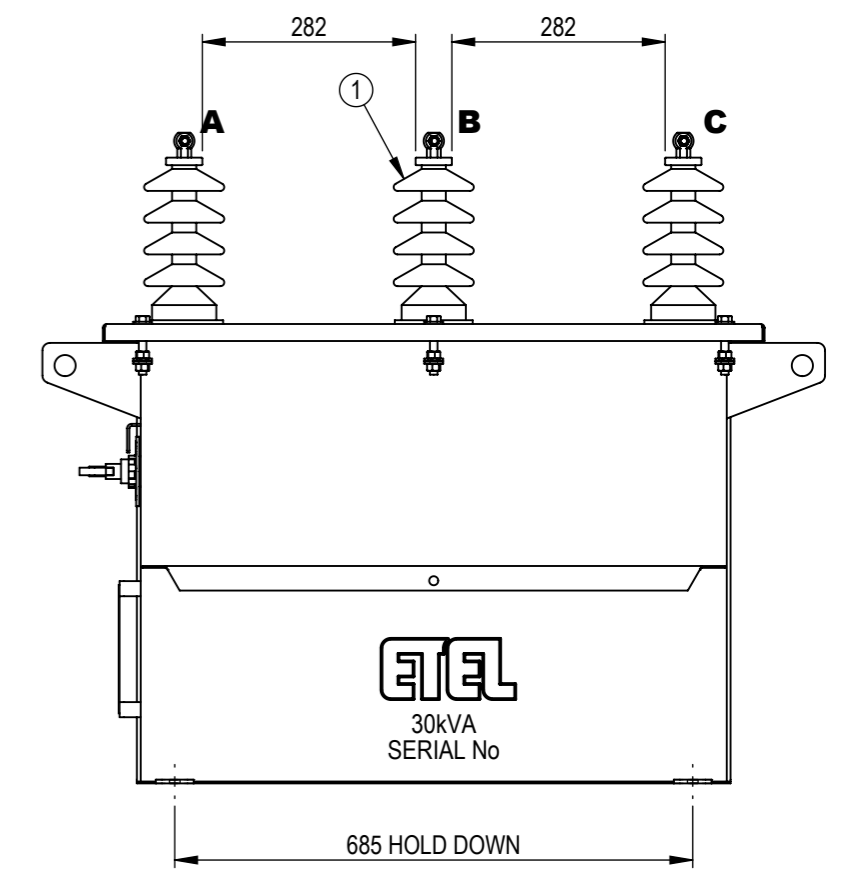
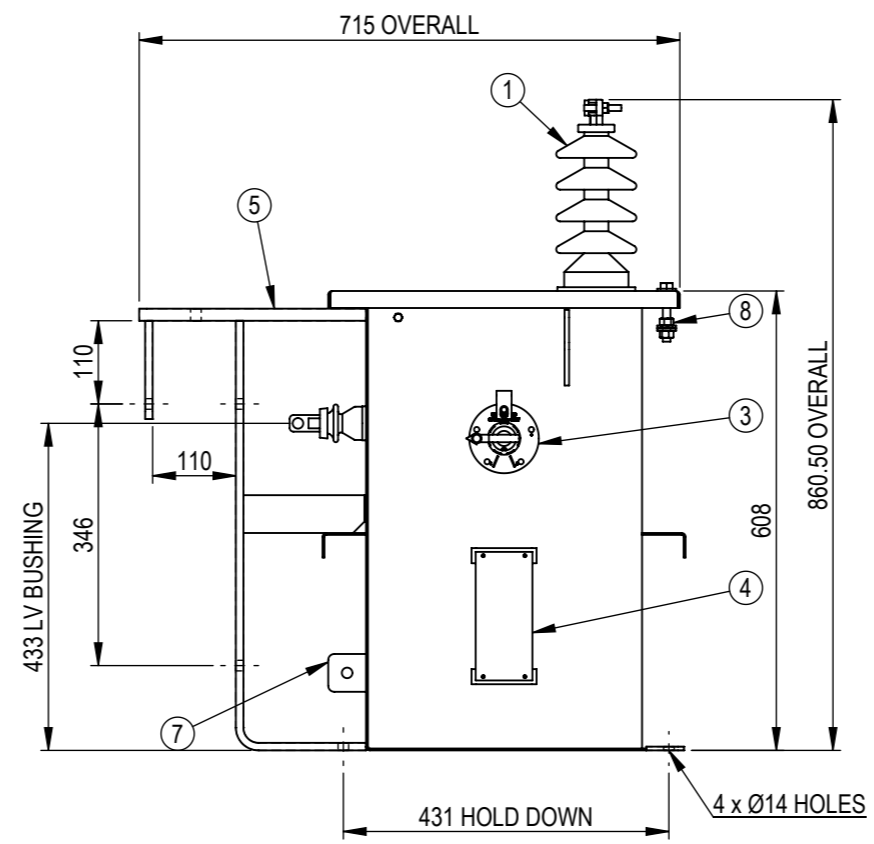
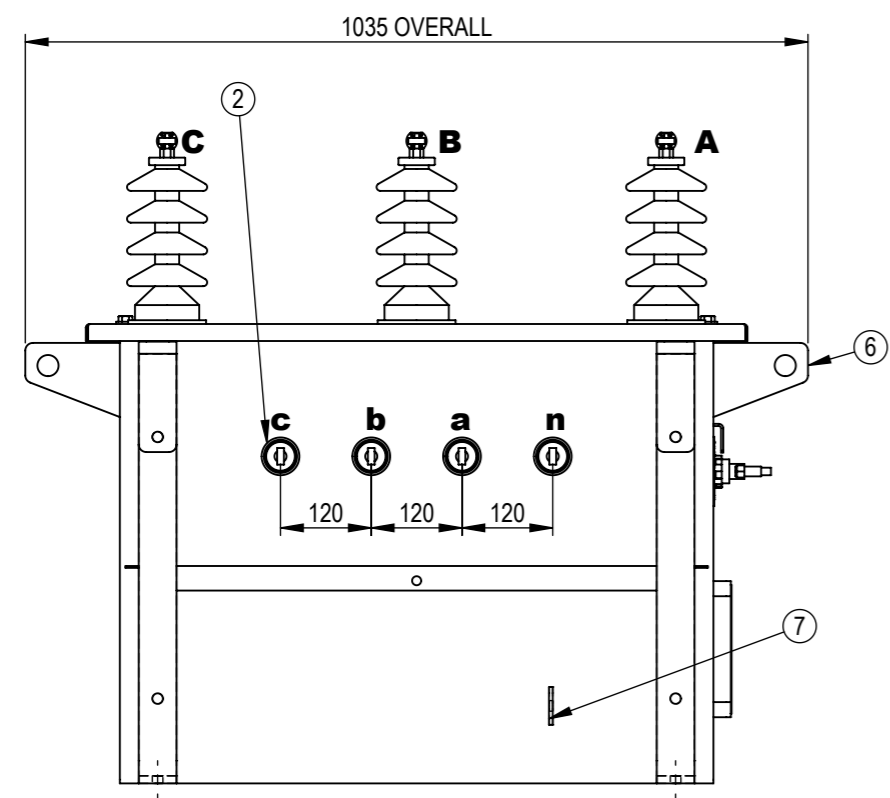


ITEM	DESCRIPTION
1	HV BUSHING No 75 4Sh 2Pce EYEBOLT 30A
2	LV BUSHING No 71 M10 Cu 14mm HOLE 200A
3	TAPSWITCH HANDLE - 5 POSITION
4	RATING PLATE
5	POLEXARM MOUNTING BRACKET
6	LIFTING LUG
7	EARTH TERMINAL S/STEEL
8	LONG SET SCREW FOR OPTIONAL BOLT ON SURGE ARRESTER

APPROXIMATE MASS	kg
OIL (111 LITRES)	98
UNTANKING MASS	152
TOTAL	326



REV	DESCRIPTION	AUTHORITY	DRAWN	DATE	APPD	DATE
A	INITIAL RELEASE		SL	23/04/2019	OP	23/04/2019

REVISION INFORMATION

NAME	SIGNATURE	DATE	SCALE AT A3 = 1:10	TITLE:
DRAWN	SL	23/04/2019		GENERAL ARRANGEMENT 30kVA 3Ph POLEXARM 11kV / 415 - 240V Dyn11
CHECKED	OP	23/04/2019		
APPROVED	OP	23/04/2019		

WEIGHT: - FINISH: - UNLESS SPECIFIED: DIMENSIONS ARE IN mm

MATERIAL: - TOLERANCES: LINEAR: X = ± 1 .X = ± 0.5 .XX = ± 0.1 ANGULAR: X = ± 0.5°

Copyright © ETEL Limited. All rights reserved.
 No part of this document may be reproduced nor information contained hereon divulged to third parties without written consent from ETEL Limited.

Distribution Transformers

SHEET	DWG NO.	REV.
1 OF 1	904.0030.3017	A