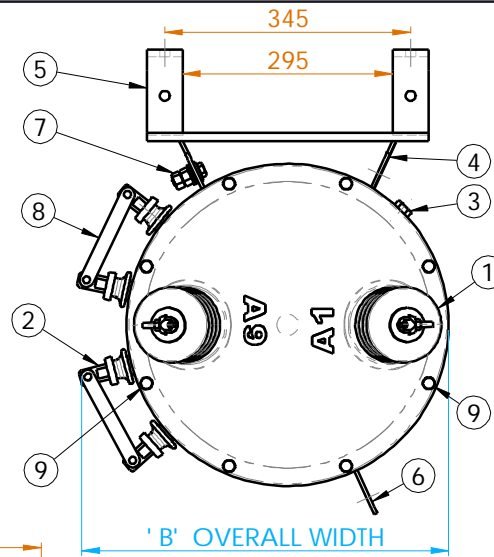
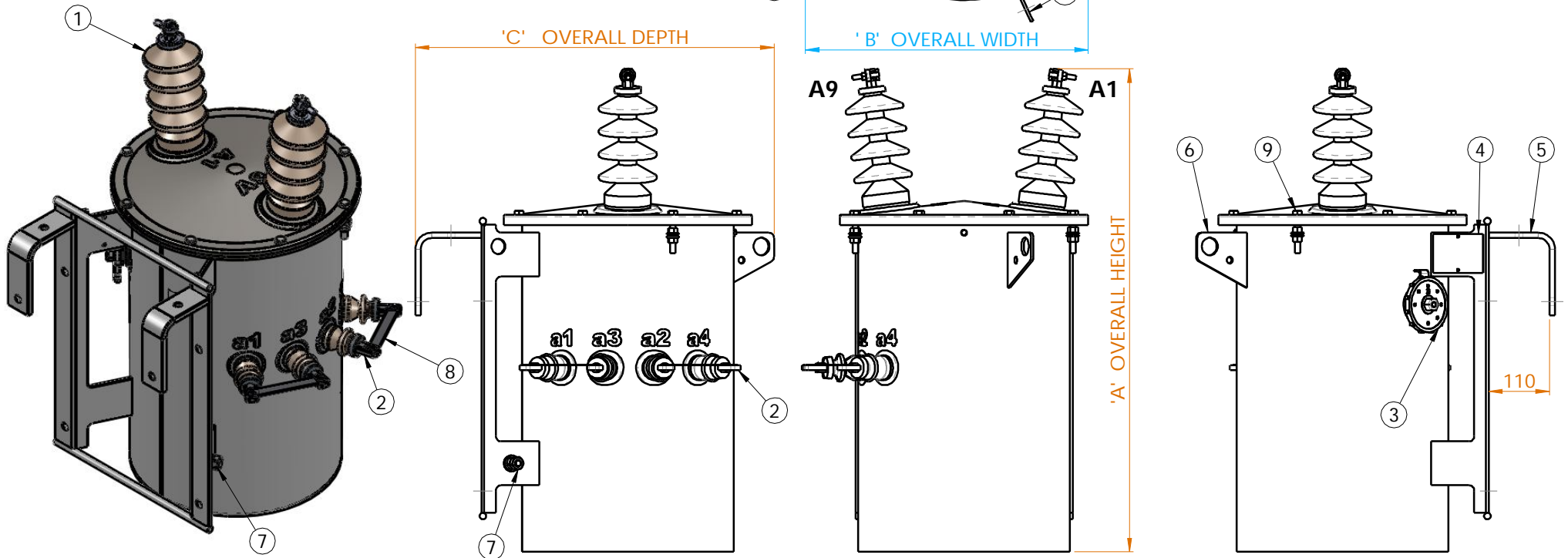


kVA	DIM 'A'	DIM 'B'	DIM 'C'	OIL Litres	UNTANKING MASS kg	TOTAL MASS kg
10	880	520	650	48	70	160
15	880	520	650	45	70	160
30	1050	520	650	57	148	236
50	1050	650	790	100	180	325



ITEM No	DESCRIPTION
1	HV BUSHING 11kV ESAA No75 4 SHED TWO PIECE EYE BOLT
2	LV BUSHING 415V ESAA No71
3	TAPSWITCH HANDLE & LOCKING
4	RATING PLATE
5	CROSS ARM POLE MOUNTING BRACKET
6	LIFTING LUG
7	EARTH - M12 SET SCREW, WASHERS &
8	SERIES / PARALLEL LINK
9	LONG SET SCREW FOR OPTIONAL BOLT ON SURGE ARRESTOR



REV	DESCRIPTION	DRAWN	DATE	APPD.	DRAWN	A.ROBERTS
.	DATE	17 MAY 2011
.	CHECKED	VIRGLIO
.	DATE	17 MAY 2011
.	SCALE	
.	TOLERANCE	

GENERAL ARRANGEMENT

10 POLE CROSS-ARM TRANSFORMER
11000/480-240V
10kVA, 15kVA, 30kVA, 50kVA



Distribution Transformers

DRAWING No.
D904.0010.1001

REV
A