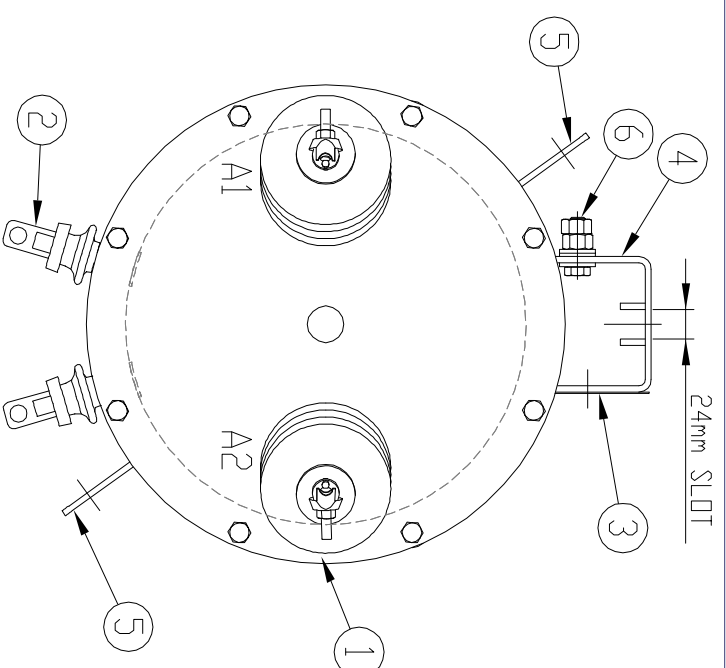
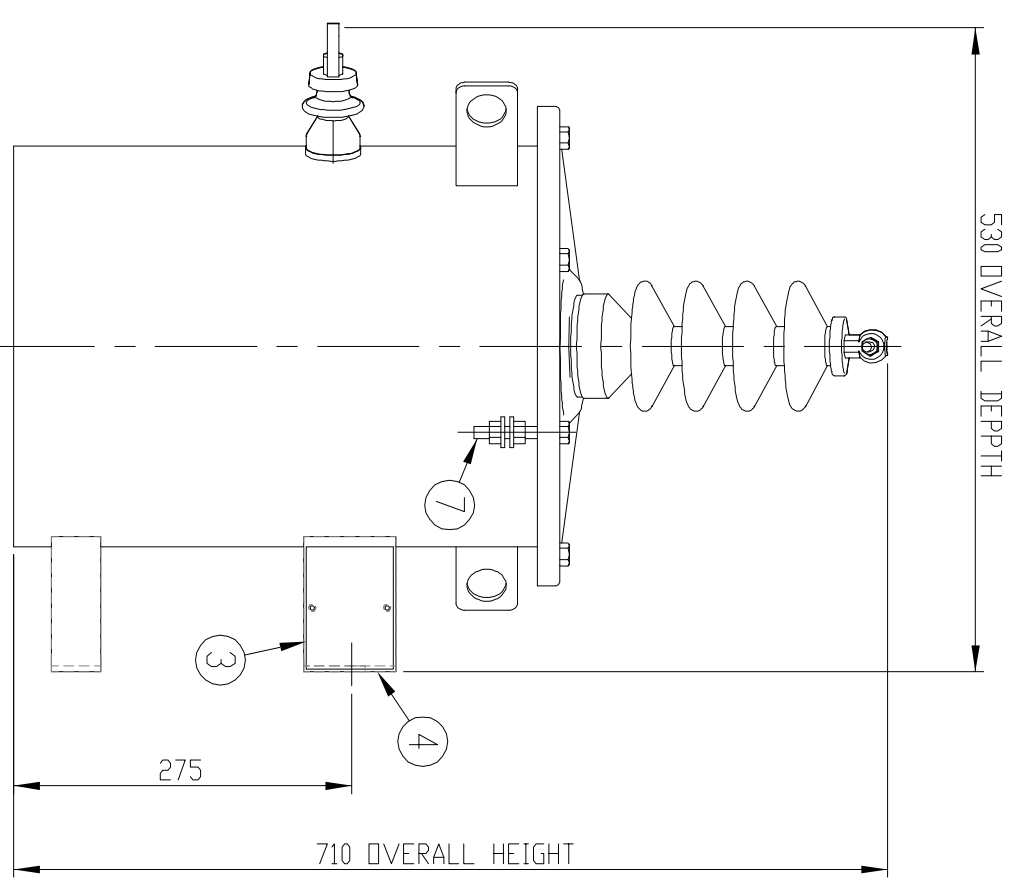
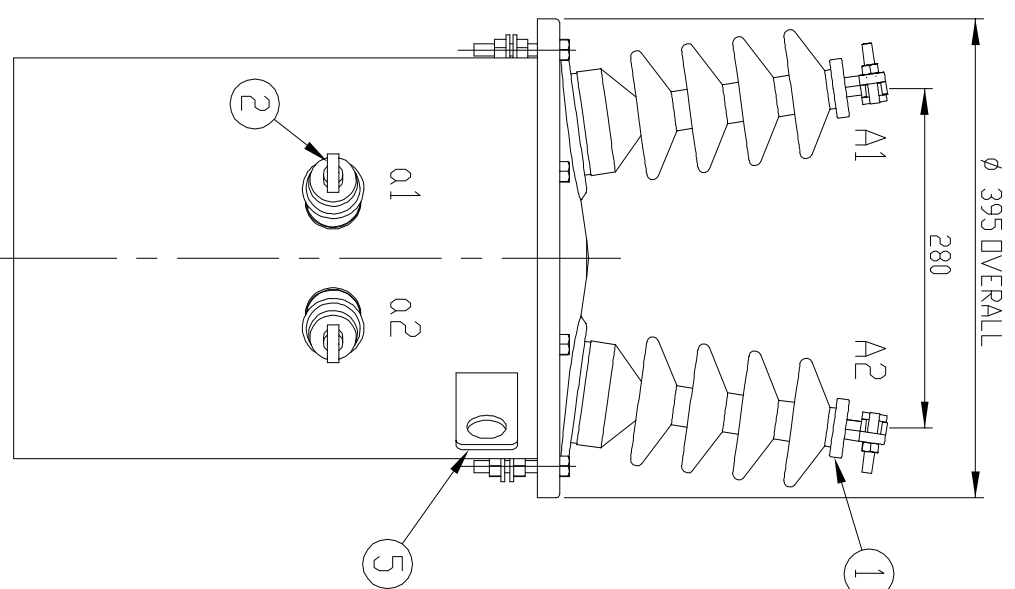
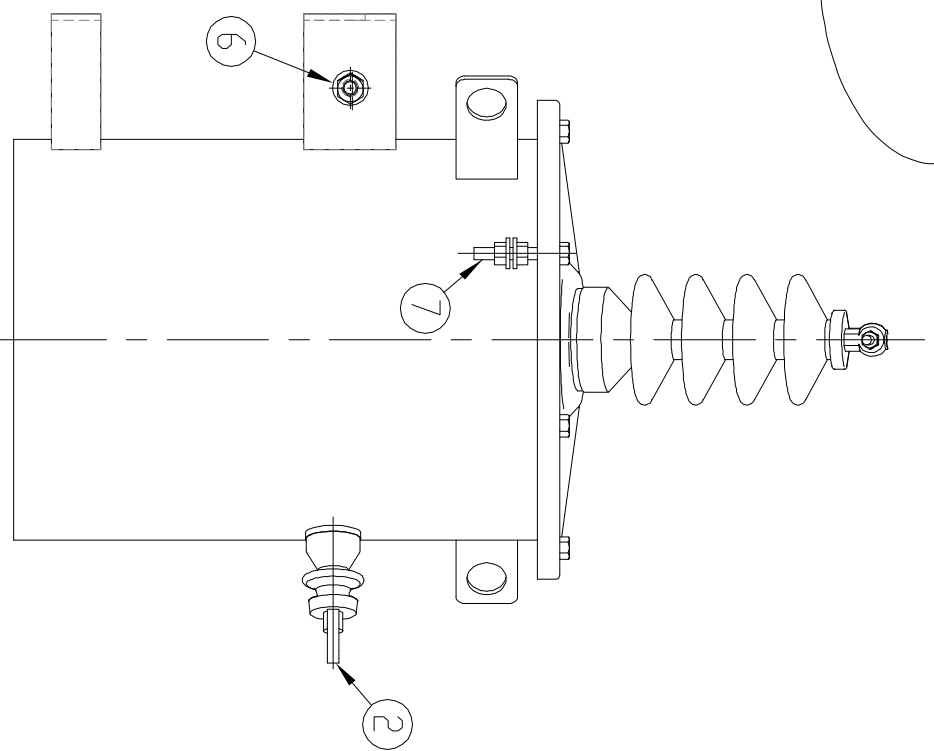


| KVA | DIL LITRES | TOTAL MASS kg |
|-----|------------|---------------|
| 1   | 20         | 50            |



| ITEM No | DESCRIPTION   |
|---------|---|
| 1       | HV BUSHING 11KV No75<br>4 SHED 35mm <sup>2</sup> EYEBOLT WITH 1A 11KV FUSES INTERNALLY FITTED |
| 2       | LV BUSHING 415V ESAA No71   |
| 3       | RATING PLATE  |
| 4       | POLE MOUNTING BRACKET   |
| 5       | LIFTING LUG   |
| 6       | EARTH - M12 SET SCREW, WASHERS & NUTS   |
| 7       | LONG SET SCREW FOR OPTIONAL BOLT ON SURGE ARRESTOR  |

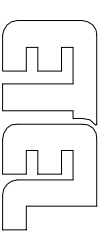


| REV | DESCRIPTION | DRAWN | DATE | APPD. | DRAWN | A.ROBERTS |
|-----|-------------|-------|------|-------|-------|-----------|
|     |             |       |      |       |       |           |

| DATE       | CHECKED  | DATE       | SCALE | TOLERANCE |
|------------|----------|------------|-------|-----------|
| 4 AUG 2011 | VIRGILIO | 4 AUG 2011 |       | +/- 2mm   |

GENERAL ARRANGEMENT

1Ø POLEBOLT TRANSFORMER  
FIXED RATIO  
1kVA 11000/240V



Distribution Transformers

DRAWING No.  
D904.0001.1001

REV  
A