

# Pole Top - Three Phase

## THREE PHASE SMALL CAPACITY POLE MOUNTED TRANSFORMERS

Product Data Sheet

Revision: 4

**ETEL**

ISO 9001 Registered

ETEL brings over 25 years of experience in Distribution Transformers together with state of the art manufacturing techniques to produce high quality, low loss three phase Polemounted Transformers.

The Small Capacity Pole Top Selection includes platform and pole bolted arrangements from 15kVA through to 75kVA (100 - 630kVA) capacity available in larger housing) as utilised in New Zealand, Australia and the Pacific Islands.

ETEL offers as standard the best long-term finish, utilising fully Hot Dipped Galvanised Tanks and Lids. Painted and other solutions are available.



### Features

- Integrated pole brackets and spacer bars
- Lid mounted HV bushings
- Long life hot dipped galvanized finish
- 15 to 75kVA
- Lifting lugs
- Surge arrestor brackets
- Optional fitted HV and LV surge arrestors
- Optional externally mounted MDI's and CT's.

### Technical Specifications

<b>Core Type</b>	Distributed gap wound core, shell type transformers
<b>Electrical Steel Type</b>	Cold rolled, grain oriented, silicon steel sheets
<b>Tank Sealing</b>	Hermetically sealed
<b>Oil Type</b>	Oil filled to BS148 and AS1767
<b>HV Volts</b>	6600, 11000, 22000, 33000
<b>LV Volts</b>	415 - 240 Dyn11 433 - 250 Dyn11 As standard (others available)
<b>HV Tappings</b>	+5% to -7.5% in 2.5% steps. As standard
<b>Oil / Winding Rises</b>	60 / 65°C As standard (others available)
<b>BIL / Power Frequency Levels</b>	95kVpeak / 28kVrms 150kVpeak / 50kVrms 200kVpeak / 70kVrms
<b>Maximum Operating Pressure</b>	35kPA

# Pole Top - Three Phase

## THREE PHASE SMALL CAPACITY POLE MOUNTED TRANSFORMERS

Product Data Sheet

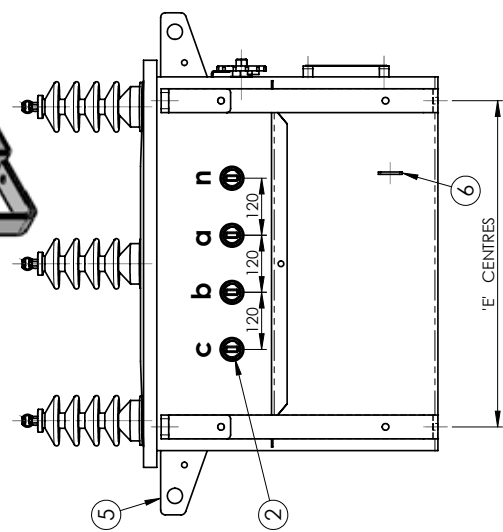
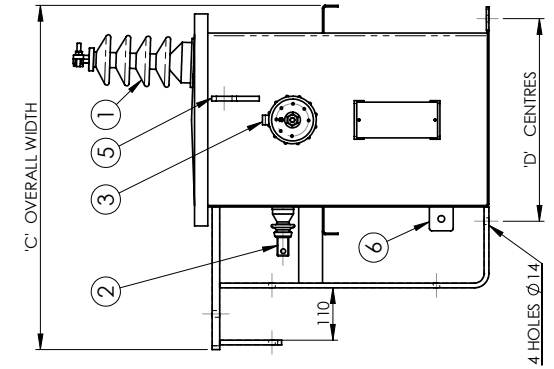
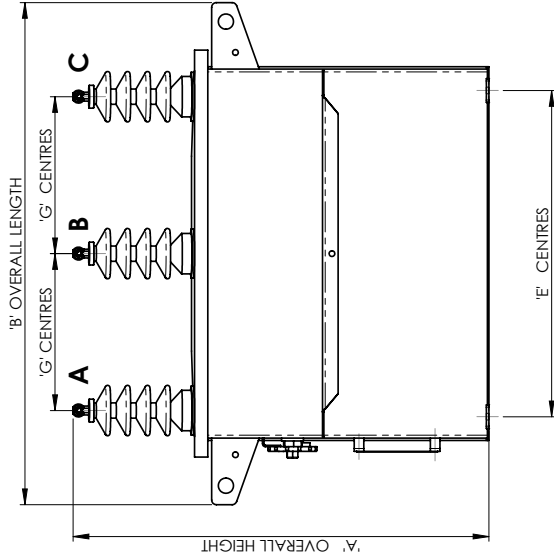
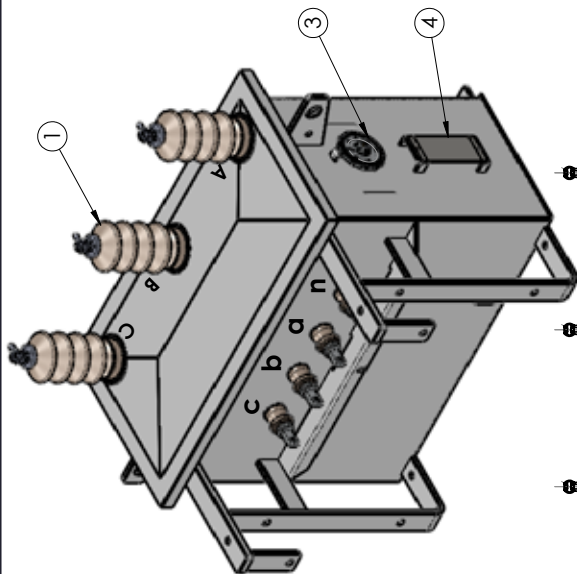
Revision: 4



ISO 9001 Registered

KVA	'A' HEIGHT	'B' LENGTH	'C' WIDTH	'D' CENTRES	'E' CENTRES	'G' CENTRES	OIL Litres	UNTANKING MASS kg	TOTAL MASS kg
15	800	855	710	420	600	265	80	100	240
30	870	1035	720	430	685	330	110	150	325
50	960	1125	750	460	685	330	155	225	450
75	1070	1095	730	480	745	330	175	280	540

ITEM	DESCRIPTION
1	HV BUSHING 11kV No75 -4 SHED EYEBOLT
2	LV BUSHING 415V -ESAA No71
3	TAPSWITCH HANDLE & LOCKING BRACKET
4	RATING PLATE
5	LIFTING LUG
6	EARTH LUG - STAINLESS STEEL



REV	DESCRIPTION	DRAWN	DATE	APPD	DRAWN	DATE
		A.ROBERTS	26 MAY 2011		A.ROBERTS	26 MAY 2011
					VIRGLIO	26 MAY 2011

GENERAL ARRANGEMENT	
3Ø POLE CROSS-ARM TRANSFORMER	
11000 / 415 -240V	
15kVA, 30kVA, 50kVA, 75kVA	

Distribution Transformers	
DRAWING No.	REV
<b>D904.0030.3001</b>	<b>A</b>