

Pole Top - Three Phase

THREE PHASE LARGE CAPACITY POLE MOUNTED TRANSFORMERS

Product Data Sheet

Revision: 4

ETEL

ISO 9001 Registered

ETEL brings over 25 years of experience in Distribution Transformers together with state of the art manufacturing techniques to produce high quality, low loss three phase Polemounted Transformers.

The Large Capacity Pole Top selection includes platform and pole bolted arrangements from 100kVA through to 630kVA (15 - 75kVA) capacity available in smaller housing) as utilised in New Zealand, Australia and the Pacific Islands.

ETEL offers as standard the best long-term finish, utilising fully Hot Dipped Galvanised Tanks and Lids. Painted and other solutions are available.



Features

- Integrated pole brackets and spacer bars
- Lid mounted HV bushings
- Long life hot dipped galvanized finish
- 100 to 630kVA (other lower kVA ratings available)
- Lifting lugs
- Optional externally mounted MDI's and CT's
- Optional fitted HV and LV surge arrestors.

Technical Specifications

Core Type	Distributed gap wound core, shell type transformers
Electrical Steel Type	Cold rolled, grain oriented, silicon steel sheets
Tank Sealing	Hermetically sealed
Oil Type	Oil filled to BS148 and AS1767
HV Volts	6600, 11000, 22000, 33000
LV Volts	415 - 240 Dyn11 433 - 250 Dyn11 As standard (others available)
HV Tappings	+5% to -7.5% in 2.5% steps. As standard
Oil / Winding Rises	60 / 65°C As standard (others available)
BIL / Power Frequency Levels	95kVpeak / 28kVrms 150kVpeak / 50kVrms 200kVpeak / 70kVrms
Maximum Operating Pressure	35kPA

Pole Top - Three Phase

THREE PHASE LARGE CAPACITY POLE MOUNTED TRANSFORMERS

Product Data Sheet

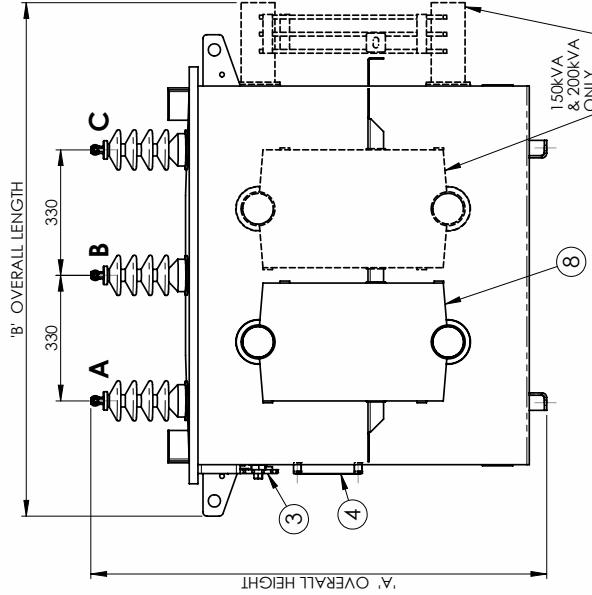
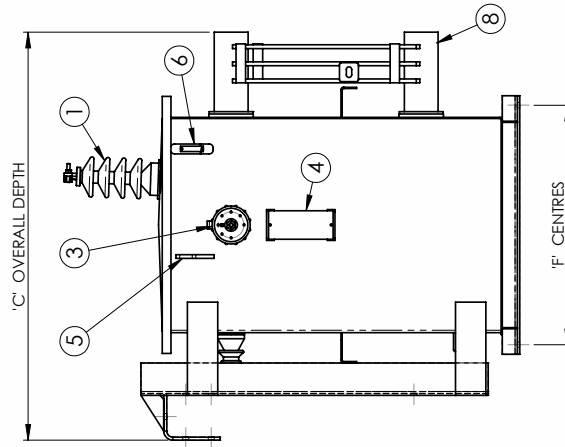
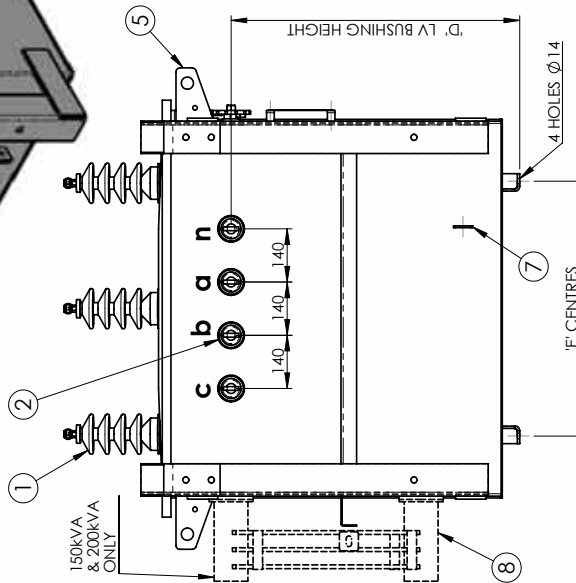
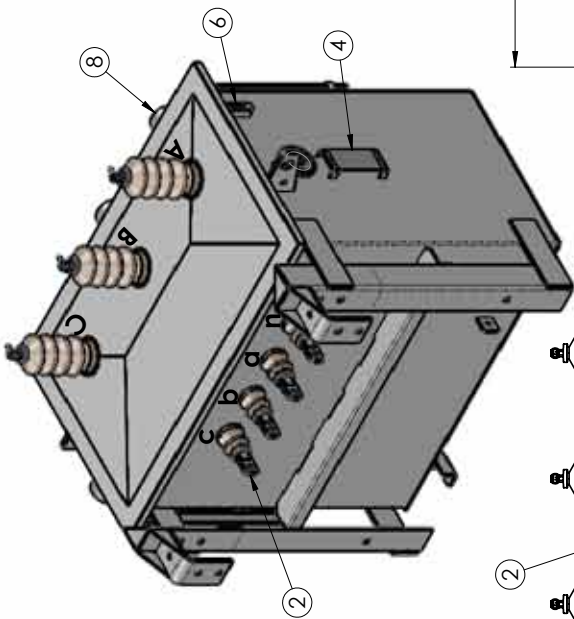
Revision: 4



ISO 9001 Registered

kVA	'A'	'B'	'C'	'D'	'E'	'F'	Oil Litres	UNTANKING MASS kg	TOTAL MASS kg
100	1150	1150	1000	720	560	550	240	370	750
150	1210	1350	1040	750	670	590	305	450	955
200	1200	1350	1080	760	670	630	310	550	1020

ITEM	DESCRIPTION
1	HV BUSHING 11kV No75 -4 SHED EYEBOLT
2	LV BUSHING 415V -ESAA No71
3	TAPSWITCH HANDLE & LOCKING BRACKET
4	RATING PLATE
5	LIFTING LUG
6	OIL LEVEL GAUGE
7	EARTH TERMINALS - STAINLESS STEEL
8	COOLING RADIATOR -AS REQD



REV	DESCRIPTION	DRAWN	DATE	APPD	DATE	DRAWN	DATE
						A.ROBERTS	25 MAY 2011
						VIRGLIO	25 MAY 2011

GENERAL ARRANGEMENT	
3Ø POLE CROSS-ARM TRANSFORMER	
11000/415-240V	
100kVA, 150kVA, 200kVA	

DRAWING No.	D904.0200.3004
REV	A



Distribution Transformers