

# Pole Top - Single Phase

## SINGLE PHASE POLE MOUNTED TRANSFORMERS

Product Data Sheet

Revision: 4

**ETEL**

ISO 9001 Registered

ETEL brings over 25 years of experience in Distribution Transformers together with state of the art manufacturing techniques to produce high quality, low loss single phase Polemounted Transformers.

The Single Phase Pole Top Selection includes platform and pole bolted arrangements from 10kVA through to 50kVA (100-150 also available in rectangular housing) as utilised in New Zealand, Australia and the Pacific Islands.

ETEL offers as standard the best Long-term finish, utilising fully Hot Dipped Galvanised Tanks and Lids. Painted and other solutions are available.



## Features

- Integrated pole brackets and spacer bars
- Lid mounted HV bushings
- Long life hot dipped galvanized finish
- 10kVA to 150kVA
- Lifting lugs
- Surge arrestor brackets
- Optional fitted HV and LV surge arrestors
- Optional externally mounted MDI's and CT's.

## Technical Specifications

<b>Core Type</b>	Distributed gap wound core, shell type transformers
<b>Electrical Steel Type</b>	Cold rolled, grain oriented, silicon steel sheets
<b>Tank Sealing</b>	Hermetically sealed
<b>Oil Type</b>	Oil filled to BS148 and AS1767
<b>HV Volts</b>	6600, 11000, 22000, 33000
<b>LV Volts</b>	480 - 240 (series – parallel) 500 - 250 (series – parallel) As standard (others available)
<b>HV Tappings</b>	+5% to -7.5% in 2.5% steps. As standard
<b>Oil / Winding Rises</b>	60 / 65°C As standard (others available)
<b>BIL / Power Frequency Levels</b>	95kVpeak / 28kVrms 150kVpeak / 50kVrms 200kVpeak / 70kVrms
<b>Maximum Operating Pressure</b>	35kPA

# Pole Top - Single Phase

## SINGLE PHASE POLE MOUNTED TRANSFORMERS

Product Data Sheet

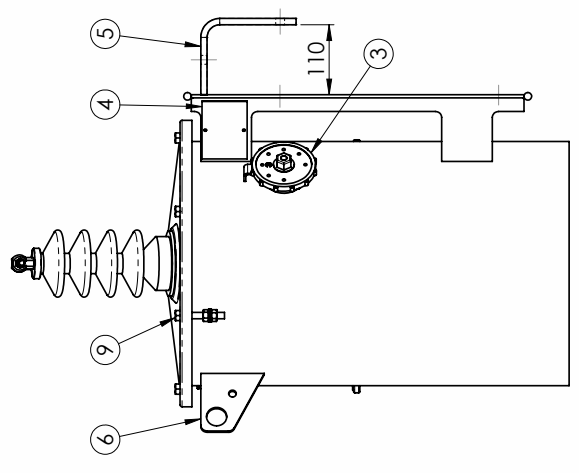
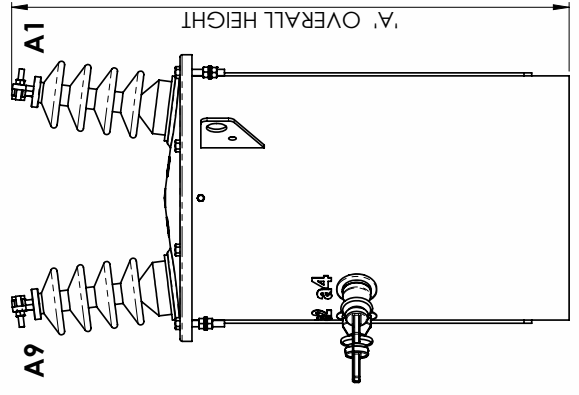
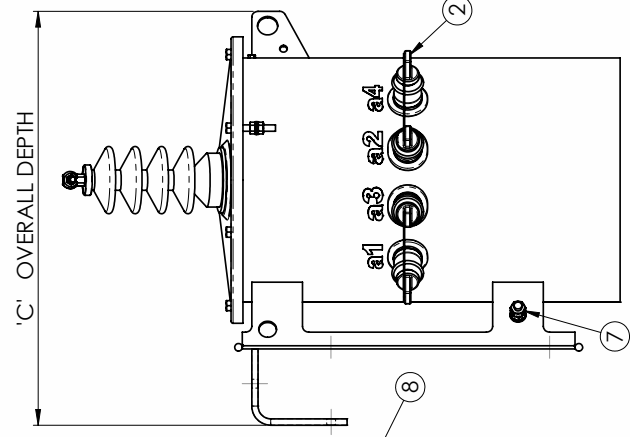
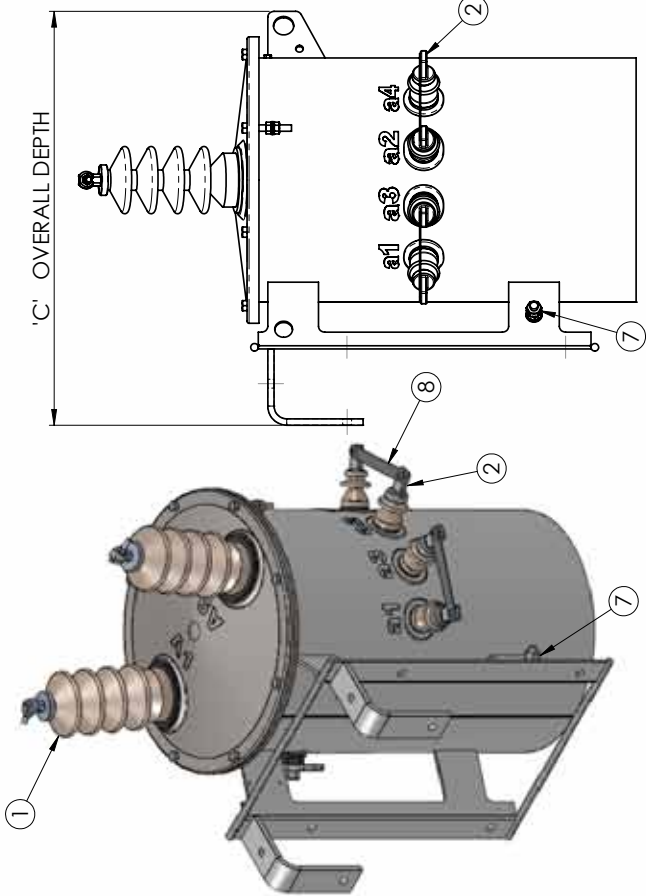
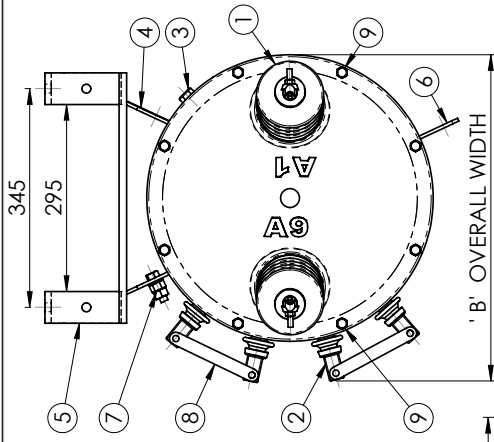
Revision: 4



ISO 9001 Registered

ITEM No	DESCRIPTION
1	HV BUSHING 11kV ESAA No75
2	4 SHED TWO PIECE EYE BOLT
3	LV BUSHING 415V ESAA No71
4	TAPSWITCH HANDLE & LOCKING BRACKET
5	RATING PLATE
6	CROSS ARM POLE MOUNTING BRACKET
7	LIFTING LUG
8	EARTH - M12 SET SCREW, WASHERS & NUTS
9	SERIES / PARALLEL LINK
9	LONG SET SCREW FOR OPTIONAL BOLT ON SURGE ARRESTOR

kVA	DIM 'A'	DIM 'B'	DIM 'C'	OIL Litres	UNTANKING MASS kg	TOTAL MASS kg
10	880	520	650	48	70	160
15	880	520	650	45	70	160
30	1050	520	650	57	148	236
50	1050	650	790	100	180	325



REV	DESCRIPTION	DRAWN	DATE	APPD	CHECKED	DATE	SCALE	TOLERANCE
		A.ROBERTS	17 MAY 2011		VIRGLIO	17 MAY 2011		

GENERAL ARRANGEMENT	
10 POLE CROSS-ARM TRANSFORMER	
11000/480-240V	
10kVA, 15kVA, 30kVA, 50kVA	

Distribution Transformers	
DRAWING No.	REV
D904.0010.1001	A