

Micropad

PAD MOUNTED TRANSFORMERS

Product Data Sheet

Revision: 4

ETEL

ISO 9001 Registered

ETEL's Micropad low kVA Distribution Transformers are specifically designed for pad mounting.

The Micropad range provides the System Designer with an ideal solution in underground reticulation installations for small capacity and rural applications.

Micropad transformers offer all of the advantages of the larger Minipad range of ground mounted transformers, in a compact, unobtrusive package.

ETEL's full catalogue of Distribution Transformers includes a model to meet your Distribution Transformer need. Discuss your particular requirement with our Engineering team.



Features

- Ultra Compact Size
- Integrated LV Switchgear Options available
- Hermetically Sealed for Long Life
- 15 to 75kVA 1 Phase
- 15 to 100kVA 3 Phase
- Zinc Spray Paint system available
- Standard Transformer oil or biodegradable fluid options available
- Lifting lugs.

Technical Specifications

Core Type	Distributed Gap Wound Core, Core Type Transformers
Electrical Steel Type	Cold Rolled, Grain Oriented, Silicon steel Sheets
Tank Sealing	Hermetically sealed
Oil Type	Oil filled to BS148 and AS1767
kVA sizes available	15, 30, 50, 75 and 100 kVA Single Phase and 3 Phase
HV Volts	11000 or 22000 As standard
LV Volts	480-240 (series-parallel) 415-240
Connection	Dyn11 as standard for 3 Phase (others available)
HV Tappings	+5% to -7.5% in 2.5% steps
Oil / Winding Rises	60 / 65°C
BIL / Power Frequency Levels	95kVpeak / 28kVrms 150kVpeak / 50kVrms
Maximum Operating Pressure	35kPA

Micropad

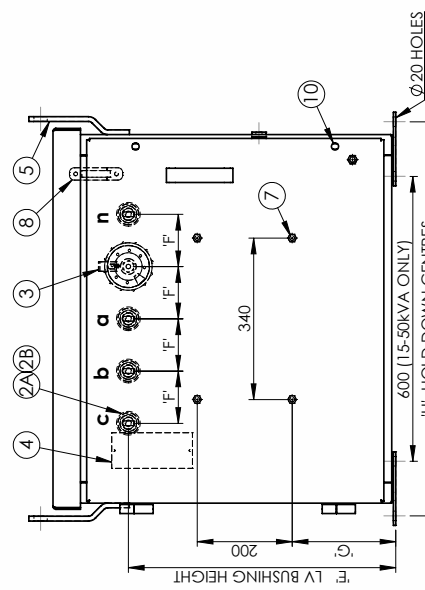
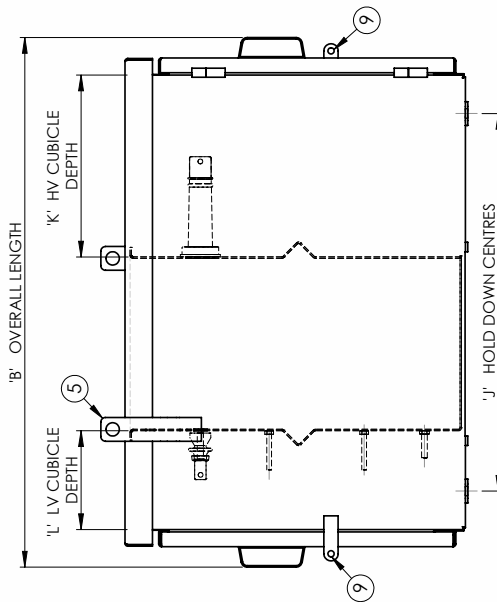
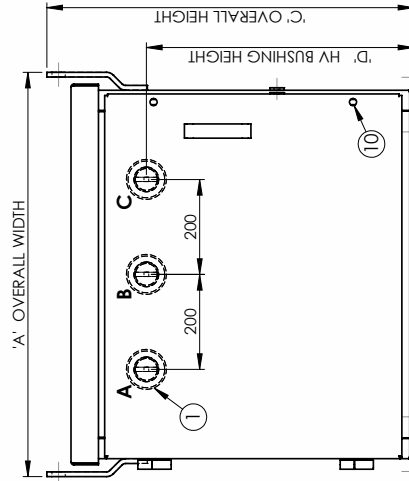
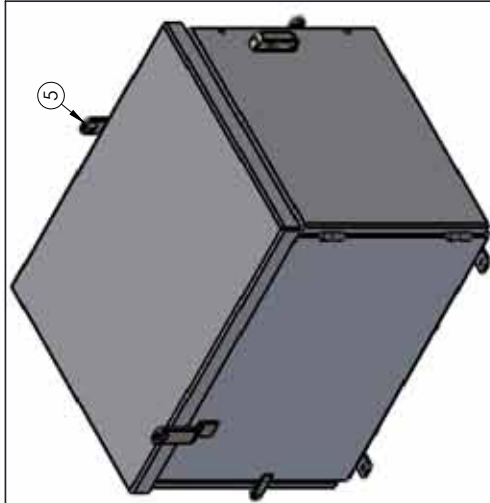
PAD MOUNTED TRANSFORMERS

Product Data Sheet

Revision: 4



ISO 9001 Registered



KVA	DIM										TOTAL (kg)			
	'A'	'B'	'C'	'D'	'E'	'F'	'G'	'H'	'J'	'K'		'L'	OIL UNTANKING MASS (kg)	
SINGLE PHASE	15	870	1120	770	570	110	210	830	800	390	210	170	74	
	30	870	1120	770	570	110	210	830	800	390	210	156	134	
	50	870	1120	770	570	110	210	830	800	390	210	154	174	
	75	750	1330	1070	810	140	410	690	440	440	290	180	245	590
	100	870	1120	770	570	110	210	830	800	390	210	150	100	400
THREE PHASE	30	870	1120	770	570	110	210	830	800	390	210	140	150	420
	50	870	1120	770	570	110	210	830	800	390	210	115	235	485
	75	1020	1360	1190	810	140	410	960	520	390	290	350	310	860
	100	1020	1360	1190	810	140	410	960	520	390	290	330	370	910

APPROXIMATE DIMENSIONS & MASSES

ITEM No.	DESCRIPTION
1	HV BUSHING -2 PIECE 11KV CABLEBOX 150A
2A	LV BUSHING ESAA No71 (15, 30 & 50KVA)
2B	LV BUSHING ESAA No72 (75 & 100KVA)
3	TAPSWITCH
4	RATING PLATE -INSIDE LV DOOR
5	LIFTING LUG
6	EARTH STUD -M 12x50mm S/STEEL
7	FUSE PANEL STUDS -M 10x75mm S/STEEL
8	OIL LEVEL GAUGE (75 & 100KVA 3PH ONLY)
9	PADLOCKABLE HINGED ACCESS DOOR
10	DOOR, ALLEN HEAD BOLTS & RUBBER PLUGS

REV	DESCRIPTION	DRAWN	DATE	APPD.	DATE	DRAWN	DATE
A	DWG was 039.904.0033	A.R.	25 NOV 11	P.L.	25 NOV 2011	A.ROBERTS	25 NOV 2011
						CHECKED	P.LEECE
						DATE	25 NOV 2011
						SCALE	
						TOLERANCE	+/- 2mm

ATEL
Distribution Transformers

DRAWING No.
D904.0050.1300

REV
A

GENERAL ARRANGEMENT - MICROPAD

PADMOUNT TRANSFORMERS

15 to 100kVA

DATE PRINTED: Wednesday, 7 December 2011 7:36:01 a.m.