

Pole Top

SINGLE PHASE LARGE CAPACITY
POLE MOUNTED TRANSFORMERS



Distribution Transformers

Pole Top

SINGLE PHASE LARGE CAPACITY
POLE MOUNTED TRANSFORMERS

PRODUCT DATA SHEET

Revised	2
Document No.	904 - 0090

ETEL has brought over 25 years of experience in Distribution Transformers together with state of the art manufacturing techniques to produce high quality, low loss single phase Polemounted Transformers.

The Large Capacity Single Phase Pole Top Selection includes platform and pole bolted arrangements from 50kVA through to 150kVA (1 - 30kVA available in cylindrical housing) as utilised in New Zealand, Australia and the Pacific Islands.

ETEL offers as standard the best long-term finish, utilising fully hot dipped galvanised tanks and lids. Painted and other solutions are available.



FEATURES

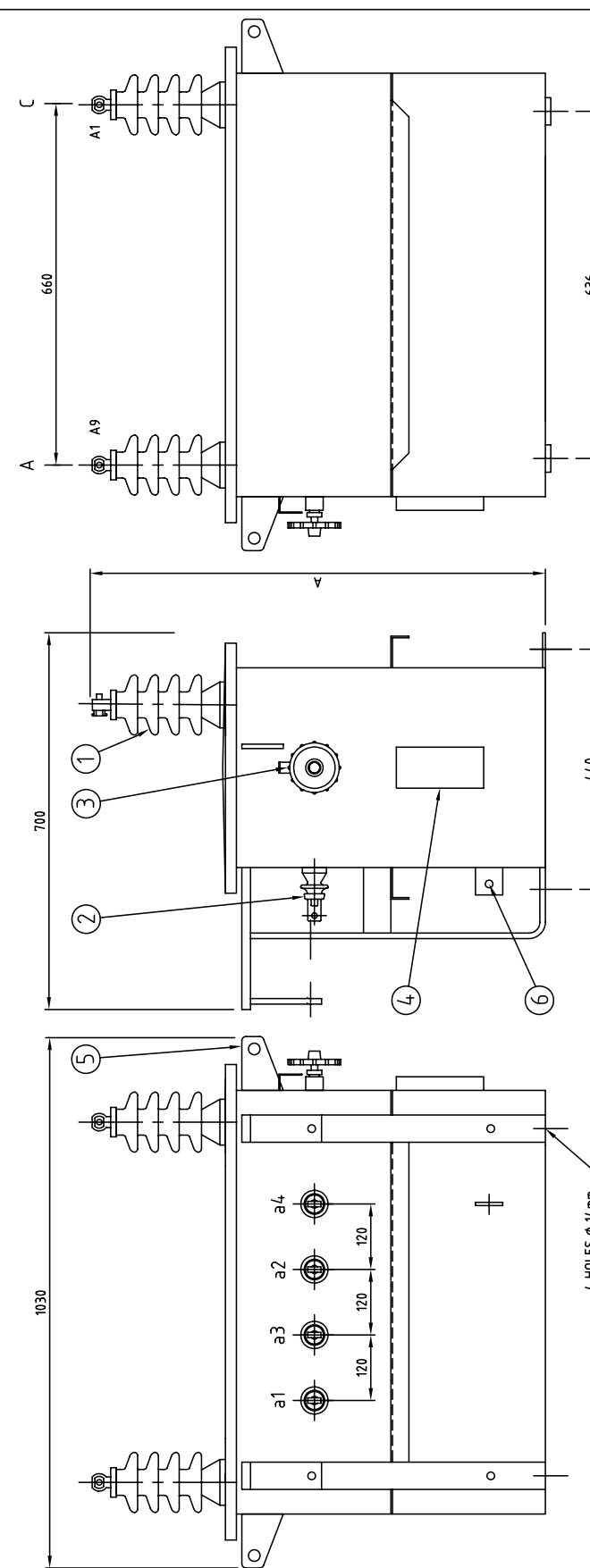
- **Integrated pole brackets and spacer bars**
- **Rectangular housing**
- **Lid mounted HV bushings**
- **Long life hot dipped galvanized finish**
- **50 to 150kVA**
- **HV and LV Eyebolt Terminations standard (other options available)**

TECHNICAL SPECIFICATIONS

Core Type	: Distributed gap wound core, shell type transformers
Electrical Steel Type	: Cold rolled, grain oriented, silicon steel sheets.
Tank Sealing	: Hermetically sealed.
Oil Type	: Oil filled to BS148 and AS1767
HV Volts	: 11000, 22000, 33000
LV Volts	: 480 - 240V (series – parallel) 500 - 250V (series – parallel) standard, others available.
HV Tappings	: +5% to -7.5% in 2.5% steps. As standard.
Oil / Winding Rises	: 60 / 65°C
BIL / Power Frequency Levels	: 95kVpeak / 28kVrms 150kVpeak / 50kVrms 200kVpeak / 70kVrms
Maximum Operating Pressure	: 35kPA

ITEM	DESCRIPTION
1	HV BUSHING 11kV TWO PIECE TAPERED 4 SHED EYEBOLT
2	LV BUSHING 415V ESAA No71
3	TAPSWITCH HANDLE & LOCKING BRACKET
4	RATING PLATE
5	LIFTING LUG
6	EARTH LUG WITH M12 S/S SET SCREW

kVA	DIM "A"	OIL Litres	UNTANKING MASS kg	TOTAL kg
50	960mm	140	180	390



REV	DESCRIPTION	DRAWN	DATE	APPD.	DRAWN	DATE	APPD.
B	MODIFY WEIGHT TABLE & LIFTING LUGS	VS	23/4/08	NU	S.ROBINSON	06/05/04	
					CHECKED	P LEECE	
					DATE	06/05/04	
					SCALE	1=7.5	
					TOLERANCE	+/- 2mm	

50KVA 1Ø
11000/ 480 - 240 VOLT
TYPICAL FOR TENDER PURPOSES ONLY

ETEL
Distribution Transformers
DRAWING No. 039.904.0169
REV B

ETEL Limited

PO Box 15 121 New Lynn, Auckland 0640, New Zealand • 550 Rosebank Road, Avondale • Freephone 0800 893 835
Ph 64 9 820 6110 • Fax 64 9 820 6111 • email: etel@eteltransformers.co.nz • web: www.eteltransformers.co.nz

PRODUCT DATA SHEET

Revised	2
Document No.	904 - 0090



Distribution Transformers